

PARTS LIST

Setting-up and Operating Instructions for

Taylor-Way

REG. U. S. PAT. OFF.

HYDRAULIC FOLDING FLEXIBLE WHEEL TANDEM HARROW

TRANSPORT WIDTH — 15'9"

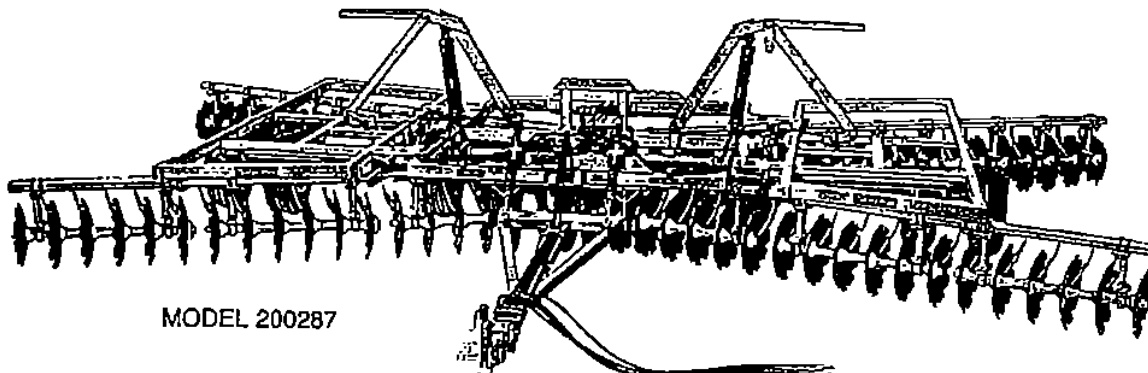
Regreasable Ball Bearings

9" or 10½" Disc Spacing

1½" Square Axle

| Model Number | No. of Discs | Size of Wings | Width of Cut | Approximate Weight | | | | | Suggested D.B.H.P. |
|--------------------------|--------------|---------------|--------------|--------------------------------|---------------|-----------------------------|---------------|------------------|--------------------|
| | | | | 22" x 3/16" C.O. | 22" x ¼" C.O. | 24" x 3/16" C.O. | 24" x ¼" C.O. | 24" x 5/16" C.O. | |
| 8" DISC SPACING | | | | | | | | | |
| 200284 | 58 | 6F, 7R | 20'8" | 11,510 | 11,895 | 11,800 | 12,305 | 12,780 | 160 |
| 200285 | 66 | 8F, 9R | 23'7" | 12,365 | 12,805 | 12,695 | 13,285 | 13,610 | 180 |
| 200286 | 70 | 9F, 10R | 25'0" | 12,715 | 13,185 | 13,100 | 13,745 | 14,320 | 200 |
| 200287 | 74 | 10F, 11R | 26'5" | 13,435 | 13,925 | 13,815 | 14,465 | 15,070 | 220 |
| 200288 | 78 | 11F, 12R | 27'10" | 13,880 | 14,395 | 14,275 | 14,945 | 15,585 | 240 |
| 200289 | 82 | 12F, 13R | 29'3" | 14,310 | 14,855 | 14,725 | 15,425 | 16,100 | 260 |
| 200290 | 86 | 13F, 14R | 30'8" | 14,860 | 15,420 | 15,180 | 15,905 | 16,610 | 280 |
| 200291 | 90 | 14F, 15R | 32'2" | 15,150 | 15,750 | 15,610 | 16,385 | 17,125 | 300 |
| 10½" DISC SPACING | | | | | | | | | |
| 200310 | 58 | 7F, 8R | 24'0" | 12,355 | 12,605 | 12,480 | 12,960 | 13,435 | 180 |
| 200311 | 62 | 8F, 9R | 25'8" | 12,695 | 12,980 | 12,830 | 13,345 | 13,850 | 200 |
| 200312 | 66 | 9F, 10R | 27'2" | 13,265 | 13,550 | 13,410 | 13,955 | 14,495 | 220 |
| 200313 | 70 | 10F, 11R | 28'10" | 13,460 | 13,760 | 13,615 | 14,195 | 14,770 | 240 |
| 200314 | 74 | 11F, 12R | 30'6" | 13,800 | 14,120 | 13,965 | 14,580 | 15,185 | 260 |
| 200315 | 78 | 12F, 13R | 32'2" | 13,985 | 14,330 | 14,165 | 14,810 | 15,460 | 280 |
| | | | | 10½" DISC SPACING FRONT | | 9" DISC SPACING REAR | | | |
| 200320 | 62 | 7F, 9R | 23'7" | 12,695 | 12,960 | 12,830 | 13,345 | 13,850 | 180 |
| 200321 | 66 | 8F, 10R | 25'0" | 13,035 | 13,320 | 13,180 | 13,725 | 14,265 | 200 |
| 200322 | 72 | 9F, 12R | 27'10" | 13,755 | 14,070 | 13,915 | 14,515 | 15,105 | 220 |
| 200323 | 76 | 10F, 13R | 29'3" | 13,845 | 14,175 | 14,010 | 14,840 | 15,260 | 240 |
| 200324 | 80 | 11F, 14R | 30'8" | 14,190 | 14,535 | 14,365 | 15,030 | 15,685 | 260 |
| 200325 | 84 | 12F, 15R | 32'2" | 14,390 | 14,750 | 14,575 | 15,270 | 15,960 | 280 |

Above Implements are shipped with one extra disc on outside of each rear wing. The outside discs on front wings are tapered 2" and the outside two discs on rear wings are tapered 2" and 4". Shipped with 15" x 10" Floatation Rims, six for Models 200284-286, eight for Models 200287-291. Use 11L x 15 Floatation Tires, not furnished. Shipped with two 4" x 24" double action Hydraulic Cylinders with hose and fittings for wings and two ASAE 5" x 8" double action Hydraulic Cylinders with hose and fittings for transport. Balk Breaker shipped as Standard Equipment.



MODEL 200287

TAYLOR IMPLEMENT DIVISION
PITTSBURGH FORGINGS CO.
TRACTOR DRAWN *Taylor-Way* IMPLEMENTS
REG. U. S. PAT. OFF.

ATHENS, TENNESSEE 37303—TELEPHONE (AREA CODE 615) 745-3110

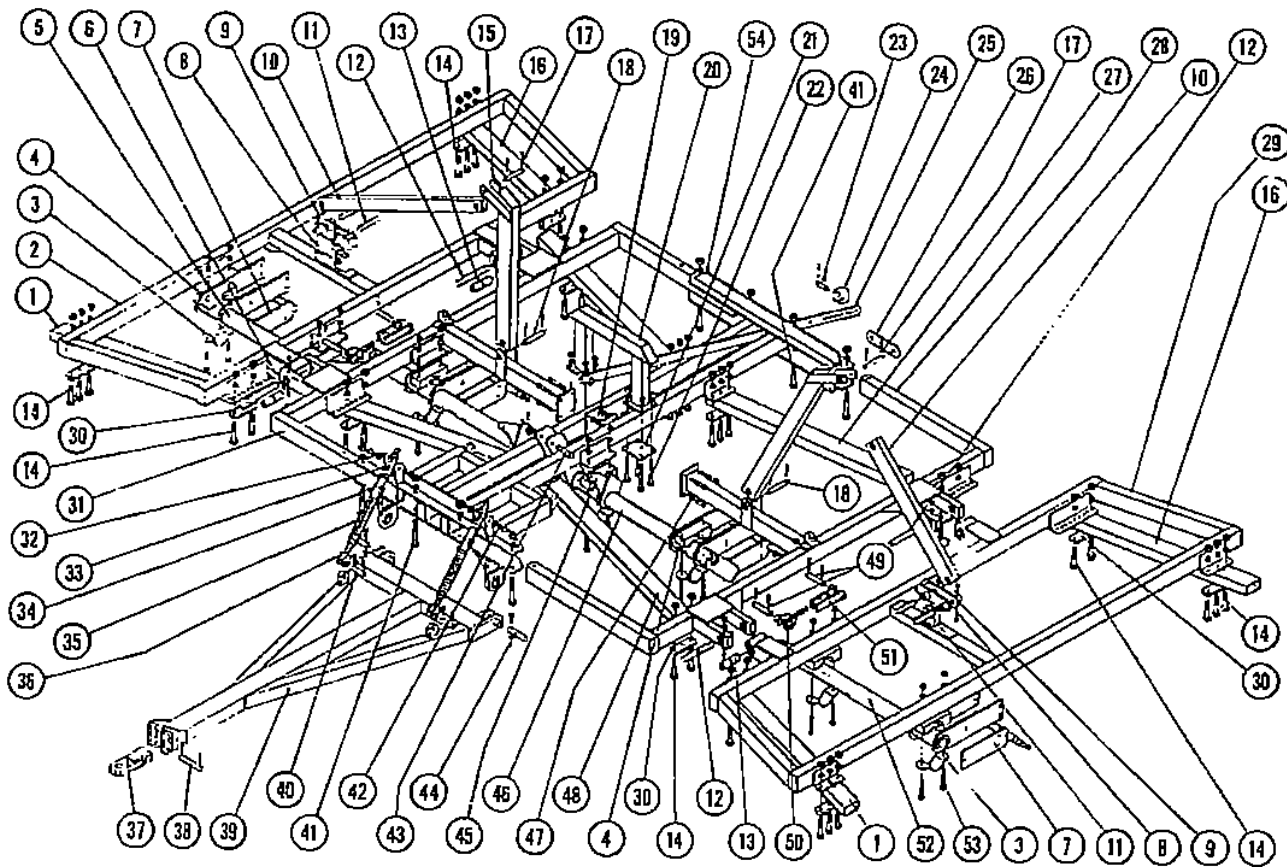


FIG. 1 — BASIC FRAME

| Item No. | Part Number | FOR MODEL | | | | | | | | | | | | | | | | Description | Size | | | | |
|----------|-------------|-----------|--------|--------|--------|--------|--------|--------|--------|--------|--------|--------|--------|--------|--------|--------|--------|-------------|------|--------|--------|------------------------|----------------|
| | | 200284 | 200295 | 200296 | 200297 | 200298 | 200299 | 200290 | 200291 | 200310 | 200311 | 200312 | 200313 | 200314 | 200315 | 200320 | 200321 | | | 200322 | 200323 | 200324 | 200325 |
| 1 | 208145 | 2 | 0 | 0 | 0 | 0 | 0 | 0 | 0 | 0 | 0 | 0 | 0 | 0 | 0 | 0 | 0 | 0 | 0 | 0 | 0 | Front Wing Gang Tube | 65" |
| | 208147 | 0 | 2 | 0 | 0 | 0 | 0 | 0 | 0 | 2 | 0 | 0 | 0 | 0 | 2 | 0 | 0 | 0 | 0 | 0 | 0 | Front Wing Gang Tube | 70" |
| | 208181 | 0 | 0 | 2 | 0 | 0 | 0 | 0 | 0 | 0 | 2 | 0 | 0 | 0 | 0 | 0 | 0 | 0 | 0 | 0 | 0 | Front Wing Gang Tube | 79" |
| | 208466 | 0 | 0 | 0 | 2 | 0 | 0 | 0 | 0 | 0 | 0 | 2 | 0 | 0 | 0 | 0 | 2 | 0 | 0 | 0 | 0 | Front Wing Gang Tube | 88" |
| | 208129 | 0 | 0 | 0 | 0 | 2 | 0 | 0 | 0 | 0 | 0 | 2 | 0 | 0 | 0 | 0 | 0 | 0 | 2 | 0 | 0 | Front Wing Gang Tube | 99" |
| | 208150 | 0 | 0 | 0 | 0 | 0 | 2 | 0 | 0 | 0 | 0 | 0 | 0 | 0 | 0 | 0 | 0 | 0 | 0 | 0 | 0 | Front Wing Gang Tube | 106" |
| | 208151 | 0 | 0 | 0 | 0 | 0 | 0 | 2 | 0 | 0 | 0 | 0 | 0 | 2 | 0 | 0 | 0 | 0 | 2 | 0 | 0 | Front Wing Gang Tube | 115" |
| | 208152 | 0 | 0 | 0 | 0 | 0 | 0 | 0 | 2 | 0 | 0 | 0 | 0 | 0 | 2 | 0 | 0 | 0 | 0 | 0 | 2 | Front Wing Gang Tube | 124" |
| 2 | 209762 | 1 | 1 | 1 | 0 | 0 | 0 | 0 | 0 | 1 | 1 | 0 | 0 | 0 | 0 | 1 | 1 | 0 | 0 | 0 | 0 | Right Small Wing Frame | |
| | 209764 | 0 | 0 | 0 | 1 | 1 | 1 | 1 | 1 | 0 | 0 | 1 | 1 | 1 | 1 | 0 | 0 | 1 | 1 | 1 | 1 | Right Large Wing Frame | |
| 3 | 304194 | 2 | 2 | 2 | 2 | 2 | 2 | 2 | 2 | 2 | 2 | 2 | 2 | 2 | 2 | 2 | 2 | 2 | 2 | 2 | 2 | Alemite (Straight) | 1/8" |
| 4 | 209235 | 8 | 8 | 8 | 8 | 8 | 8 | 8 | 8 | 8 | 8 | 8 | 8 | 8 | 8 | 8 | 8 | 8 | 8 | 8 | 8 | Wheel Lift Strap | |
| | 304194 | 8 | 8 | 8 | 8 | 8 | 8 | 8 | 8 | 8 | 8 | 8 | 8 | 8 | 8 | 8 | 8 | 8 | 8 | 8 | 8 | Wheel Lift Bearing | |
| 5 | 209393 | 1 | 1 | 1 | 0 | 0 | 0 | 0 | 0 | 1 | 1 | 0 | 0 | 0 | 1 | 1 | 0 | 0 | 1 | 1 | 1 | Alemite (Straight) | 1/8" |
| | 209395 | 0 | 0 | 0 | 1 | 1 | 1 | 1 | 1 | 0 | 0 | 1 | 1 | 1 | 1 | 0 | 0 | 1 | 1 | 1 | 1 | Right Wing Wheel Lift | |
| 6 | 303955 | 4 | 4 | 4 | 4 | 4 | 4 | 4 | 4 | 4 | 4 | 4 | 4 | 4 | 4 | 4 | 4 | 4 | 4 | 4 | 4 | Bolt w/Nut | 1/2"x5" |
| | 303971 | 8 | 8 | 8 | 8 | 8 | 8 | 8 | 8 | 8 | 8 | 8 | 8 | 8 | 8 | 8 | 8 | 8 | 8 | 8 | 8 | Lock Washer | 1/2" |
| 7 | 209876 | 2 | 2 | 2 | 0 | 0 | 0 | 0 | 0 | 2 | 2 | 0 | 0 | 0 | 0 | 2 | 2 | 0 | 0 | 0 | 0 | Flat Washer | 1/2" |
| | 209877 | 2 | 2 | 2 | 4 | 4 | 4 | 4 | 4 | 2 | 2 | 4 | 4 | 4 | 2 | 2 | 4 | 4 | 4 | 4 | 4 | Single Wheel Axle | |
| | 303957 | 24 | 24 | 24 | 24 | 24 | 24 | 24 | 24 | 24 | 24 | 24 | 24 | 24 | 24 | 24 | 24 | 24 | 24 | 24 | 24 | Double Wheel Axle | |
| | 303955 | 4 | 4 | 4 | 4 | 4 | 4 | 4 | 4 | 4 | 4 | 4 | 4 | 4 | 4 | 4 | 4 | 4 | 4 | 4 | 4 | Bolt w/Nut | 3/4"x2 3/4" |
| 8 | 208101 | 4 | 4 | 4 | 4 | 4 | 4 | 4 | 4 | 4 | 4 | 4 | 4 | 4 | 4 | 4 | 4 | 4 | 4 | 4 | 4 | Lock Washer | 3/4" |
| 9 | 208436 | 2 | 2 | 2 | 0 | 0 | 0 | 0 | 0 | 2 | 2 | 0 | 0 | 0 | 0 | 2 | 2 | 0 | 0 | 0 | 0 | Right Wing Wheel Lift | |
| 10 | 208117 | 0 | 0 | 0 | 2 | 2 | 2 | 2 | 2 | 0 | 0 | 2 | 2 | 2 | 2 | 2 | 2 | 0 | 0 | 0 | 0 | Rocker Arm | |
| 11 | 208106 | 4 | 4 | 4 | 4 | 4 | 4 | 4 | 4 | 4 | 4 | 4 | 4 | 4 | 4 | 4 | 4 | 4 | 4 | 4 | 4 | Radius Arm | |
| 12 | 208039 | 4 | 4 | 4 | 4 | 4 | 4 | 4 | 4 | 4 | 4 | 4 | 4 | 4 | 4 | 4 | 4 | 4 | 4 | 4 | 4 | Radius Arm | |
| 13 | 208055 | 4 | 4 | 4 | 4 | 4 | 4 | 4 | 4 | 4 | 4 | 4 | 4 | 4 | 4 | 4 | 4 | 4 | 4 | 4 | 4 | Pin | 1 |
| 14 | 303958 | 34 | 34 | 34 | 34 | 34 | 34 | 34 | 34 | 34 | 34 | 34 | 34 | 34 | 34 | 34 | 34 | 34 | 34 | 34 | 34 | Wing Hinge Pin | 1 3/8"x 1 3/4" |
| | 6 | 6 | 6 | 6 | 6 | 6 | 6 | 6 | 6 | 6 | 6 | 6 | 6 | 6 | 6 | 6 | 6 | 6 | 6 | 6 | 6 | Wing Hinge Bushing | |
| | 6 | 6 | 6 | 6 | 6 | 6 | 6 | 6 | 6 | 6 | 6 | 6 | 6 | 6 | 6 | 6 | 6 | 6 | 6 | 6 | 6 | Bolt w/Nut, Grade 5 | 3/8"x5 1/2" |
| | 6 | 6 | 6 | 6 | 6 | 6 | 6 | 6 | 6 | 6 | 6 | 6 | 6 | 6 | 6 | 6 | 6 | 6 | 6 | 6 | 6 | Bolt w/Nut, Grade 5 | 3/8"x7" |
| | 6 | 6 | 6 | 6 | 6 | 6 | 6 | 6 | 6 | 6 | 6 | 6 | 6 | 6 | 6 | 6 | 6 | 6 | 6 | 6 | 6 | Lock Washer | 3/8" |

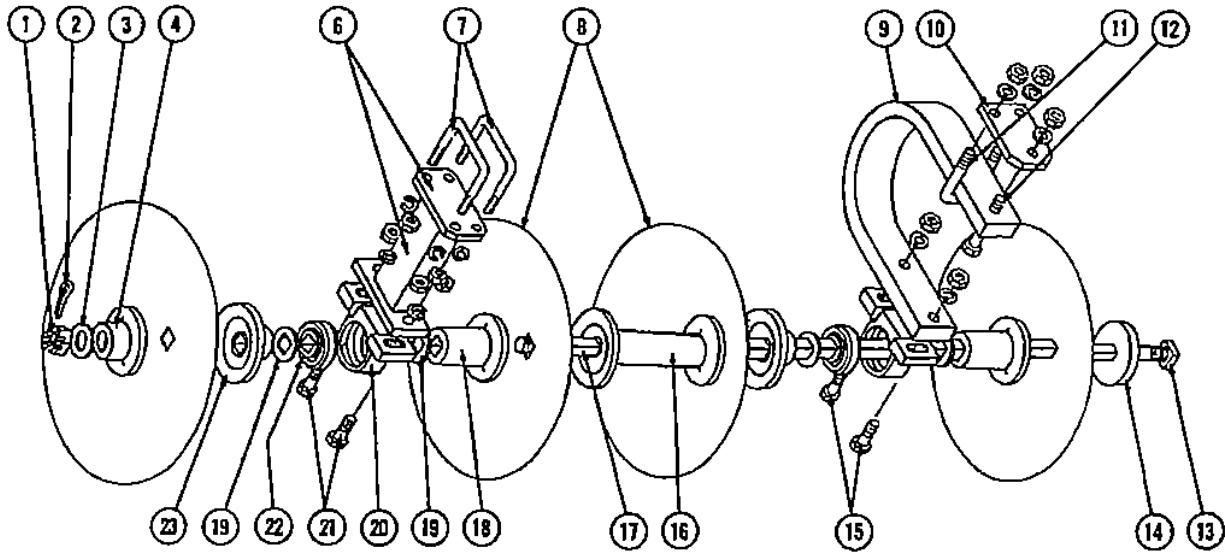
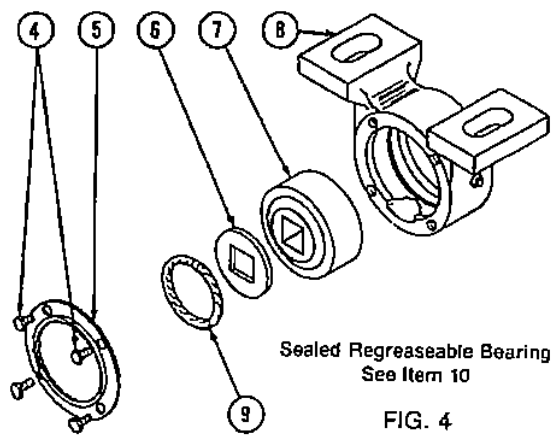
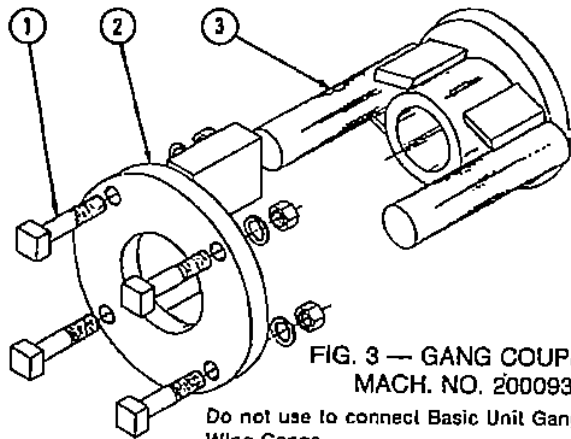


FIG. 2 — DISC GANG ASSEMBLY

| Item No. | Part Number | FOR MODEL | | | | | | | | | | | | | | | | Description | Size | | | | |
|--|-------------|-----------|--------|--------|--------|--------|--------|--------|--------|--------|--------|--------|--------|--------|--------|--------|--------|-------------|------|--------|--------|--------------------------|-------------|
| | | 200284 | 200285 | 200286 | 200287 | 200288 | 200289 | 200290 | 200291 | 200310 | 200311 | 200312 | 200313 | 200314 | 200315 | 200320 | 200321 | | | 200322 | 200323 | 200324 | 200325 |
| 1 | 304042 | 12 | 16 | 16 | 16 | 16 | 16 | 18 | 20 | 10 | 12 | 12 | 12 | 14 | 14 | 12 | 14 | 14 | 14 | 16 | 16 | Hex Slotted Nut | 1 1/2" |
| 2 | 304142 | 12 | 16 | 16 | 16 | 16 | 16 | 18 | 20 | 10 | 12 | 12 | 12 | 14 | 14 | 12 | 14 | 14 | 14 | 16 | 16 | Cotter | 3/16"x3" |
| 3 | 303979 | 12 | 16 | 16 | 16 | 16 | 16 | 18 | 20 | 10 | 12 | 12 | 12 | 14 | 14 | 12 | 14 | 14 | 14 | 16 | 16 | Washer | 1 1/2" |
| 4 | 204438 | 12 | 16 | 16 | 16 | 16 | 16 | 18 | 20 | 10 | 12 | 12 | 12 | 14 | 14 | 12 | 14 | 14 | 14 | 16 | 16 | End Washer | |
| 5 | 206813 | 0 | 0 | 0 | 0 | 0 | 0 | 0 | 0 | 0 | 0 | 0 | 0 | 0 | 0 | 0 | 0 | 0 | 0 | 0 | 0 | Offset Bearing Connector | |
| 6 | 206682 | 24 | 32 | 32 | 32 | 32 | 32 | 36 | 40 | 20 | 24 | 24 | 24 | 28 | 28 | 24 | 28 | 28 | 28 | 32 | 32 | Bearing Connector | |
| 7 | 209612 | 48 | 64 | 64 | 64 | 64 | 64 | 72 | 80 | 40 | 48 | 48 | 48 | 56 | 56 | 48 | 56 | 56 | 56 | 64 | 64 | U-Bolt w/Nuts | 3/8" |
| | | | | | | | | | | | | | | | | | | | | | | Lock Washers | 3/8" |
| <p>Note: One disc blade 2" smaller on front wing gangs at lead position. Two disc blades taper at 2" intervals on outside of rear wing gangs.</p> | | | | | | | | | | | | | | | | | | | | | | | |
| 8 | 208836 | 52 | 60 | 64 | 68 | 72 | 76 | 80 | 84 | 52 | 56 | 60 | 64 | 68 | 72 | 56 | 60 | 66 | 70 | 74 | 78 | 22" x 3/16" Cut-Out Disc | |
| | 208837 | 52 | 60 | 64 | 68 | 72 | 76 | 80 | 84 | 52 | 56 | 60 | 64 | 68 | 72 | 56 | 60 | 66 | 70 | 74 | 78 | 22" x 3/16" Round Disc | |
| | 207903 | 52 | 60 | 64 | 68 | 72 | 76 | 80 | 84 | 52 | 56 | 60 | 64 | 68 | 72 | 56 | 60 | 66 | 70 | 74 | 78 | 24" x 3/16" Cut-Out Disc | |
| | 207904 | 52 | 60 | 64 | 68 | 72 | 76 | 80 | 84 | 52 | 56 | 60 | 64 | 68 | 72 | 56 | 60 | 66 | 70 | 74 | 78 | 24" x 3/16" Round Disc | |
| | 207909 | 52 | 60 | 64 | 68 | 72 | 76 | 80 | 84 | 52 | 56 | 60 | 64 | 68 | 72 | 56 | 60 | 66 | 70 | 74 | 78 | 22" x 1/4" Cut-Out Disc | |
| | 207910 | 52 | 60 | 64 | 68 | 72 | 76 | 80 | 84 | 52 | 56 | 60 | 64 | 68 | 72 | 56 | 60 | 66 | 70 | 74 | 78 | 22" x 1/4" Round Disc | |
| | 207901 | 52 | 60 | 64 | 68 | 72 | 76 | 80 | 84 | 52 | 56 | 60 | 64 | 68 | 72 | 56 | 60 | 66 | 70 | 74 | 78 | 24" x 1/4" Cut-Out Disc | |
| | 207902 | 52 | 60 | 64 | 68 | 72 | 76 | 80 | 84 | 52 | 56 | 60 | 64 | 68 | 72 | 56 | 60 | 66 | 70 | 74 | 78 | 24" x 1/4" Round Disc | |
| | 209409 | 52 | 60 | 64 | 68 | 72 | 76 | 80 | 84 | 52 | 56 | 60 | 64 | 68 | 72 | 56 | 60 | 66 | 70 | 74 | 78 | 24" x 3/16" Cut-Out Disc | |
| | 209410 | 52 | 60 | 64 | 68 | 72 | 76 | 80 | 84 | 52 | 56 | 60 | 64 | 68 | 72 | 56 | 60 | 66 | 70 | 74 | 78 | 24" x 3/16" Round Disc | |
| TAPERED DISC BLADES FOR WINGS WITH 22" DISC BLADES | | | | | | | | | | | | | | | | | | | | | | | |
| | 207911 | 4 | 4 | 4 | 4 | 4 | 4 | 4 | 4 | 4 | 4 | 4 | 4 | 4 | 4 | 4 | 4 | 4 | 4 | 4 | 4 | 20" x 1/4" Cut-Out Disc | |
| | 207912 | 4 | 4 | 4 | 4 | 4 | 4 | 4 | 4 | 4 | 4 | 4 | 4 | 4 | 4 | 4 | 4 | 4 | 4 | 4 | 4 | 20" x 1/4" Round Disc | |
| | 207913 | 2 | 2 | 2 | 2 | 2 | 2 | 2 | 2 | 2 | 2 | 2 | 2 | 2 | 2 | 2 | 2 | 2 | 2 | 2 | 2 | 18" x 1/4" Cut-Out Disc | |
| | 207914 | 2 | 2 | 2 | 2 | 2 | 2 | 2 | 2 | 2 | 2 | 2 | 2 | 2 | 2 | 2 | 2 | 2 | 2 | 2 | 2 | 18" x 1/4" Round Disc | |
| TAPERED DISC BLADES FOR WINGS WITH 24" x 3/16" DISC BLADES | | | | | | | | | | | | | | | | | | | | | | | |
| | 208836 | 4 | 4 | 4 | 4 | 4 | 4 | 4 | 4 | 4 | 4 | 4 | 4 | 4 | 4 | 4 | 4 | 4 | 4 | 4 | 4 | 22" x 3/16" Cut-Out Disc | |
| | 208837 | 4 | 4 | 4 | 4 | 4 | 4 | 4 | 4 | 4 | 4 | 4 | 4 | 4 | 4 | 4 | 4 | 4 | 4 | 4 | 4 | 22" x 3/16" Round Disc | |
| | 207911 | 2 | 2 | 2 | 2 | 2 | 2 | 2 | 2 | 2 | 2 | 2 | 2 | 2 | 2 | 2 | 2 | 2 | 2 | 2 | 2 | 20" x 1/4" Cut-Out Disc | |
| | 207912 | 2 | 2 | 2 | 2 | 2 | 2 | 2 | 2 | 2 | 2 | 2 | 2 | 2 | 2 | 2 | 2 | 2 | 2 | 2 | 2 | 20" x 1/4" Round Disc | |
| TAPERED DISC BLADES FOR WINGS WITH 24" x 1/4" & 24" x 5/16" DISC BLADES | | | | | | | | | | | | | | | | | | | | | | | |
| | 207909 | 4 | 4 | 4 | 4 | 4 | 4 | 4 | 4 | 4 | 4 | 4 | 4 | 4 | 4 | 4 | 4 | 4 | 4 | 4 | 4 | 22" x 1/4" Cut-Out Disc | |
| | 207910 | 4 | 4 | 4 | 4 | 4 | 4 | 4 | 4 | 4 | 4 | 4 | 4 | 4 | 4 | 4 | 4 | 4 | 4 | 4 | 4 | 22" x 1/4" Round Disc | |
| | 207911 | 2 | 2 | 2 | 2 | 2 | 2 | 2 | 2 | 2 | 2 | 2 | 2 | 2 | 2 | 2 | 2 | 2 | 2 | 2 | 2 | 20" x 1/4" Cut-Out Disc | |
| | 207912 | 2 | 2 | 2 | 2 | 2 | 2 | 2 | 2 | 2 | 2 | 2 | 2 | 2 | 2 | 2 | 2 | 2 | 2 | 2 | 2 | 20" x 1/4" Round Disc | |
| 9 | 207800 | 24 | 32 | 32 | 32 | 32 | 32 | 36 | 40 | 20 | 24 | 24 | 24 | 28 | 28 | 24 | 28 | 28 | 28 | 32 | 32 | Spring Bearing Connector | |
| 10 | 207837 | 24 | 32 | 32 | 32 | 32 | 32 | 36 | 40 | 20 | 24 | 24 | 24 | 28 | 28 | 24 | 28 | 28 | 28 | 32 | 32 | Top Plate | |
| 11 | 209500 | 24 | 32 | 32 | 32 | 32 | 32 | 36 | 40 | 20 | 24 | 24 | 24 | 28 | 28 | 24 | 28 | 28 | 28 | 32 | 32 | U-Bolt w/Nuts | 3/4" |
| | 303957 | 48 | 64 | 64 | 64 | 64 | 64 | 72 | 80 | 40 | 48 | 48 | 48 | 56 | 56 | 48 | 56 | 56 | 56 | 64 | 64 | Lock Washer | 3/8" |
| 12 | | 24 | 32 | 32 | 32 | 32 | 32 | 36 | 40 | 20 | 24 | 24 | 24 | 28 | 28 | 24 | 28 | 28 | 28 | 32 | 32 | Bolt w/Nut | 3/8"x6 1/2" |
| | 303974 | 24 | 32 | 32 | 32 | 32 | 32 | 36 | 40 | 20 | 24 | 24 | 24 | 28 | 28 | 24 | 28 | 28 | 28 | 32 | 32 | Lock Washer | 3/8" |

| Item No. | Part Number | FOR MODEL | | | | | | | | | | | | | | Description | Size | | | | | | |
|----------|-------------|-----------|--------|--------|--------|--------|--------|--------|--------|--------|--------|--------|--------|--------|--------|-------------|------|--------|--------|--------|------------------------------|-------------------|------------|
| | | 200284 | 200285 | 200286 | 200287 | 200288 | 200289 | 200290 | 200291 | 200310 | 200311 | 200312 | 200313 | 200314 | 200315 | | | 200320 | 200321 | 200322 | 200323 | 200324 | 200325 |
| 13 | 208930 | 12 | 16 | 16 | 16 | 16 | 16 | 18 | 20 | 10 | 12 | 12 | 14 | 14 | 12 | 14 | 14 | 14 | 16 | 16 | Square Nut | 1½" | |
| 14 | 206765 | 12 | 16 | 16 | 16 | 16 | 16 | 18 | 20 | 10 | 12 | 12 | 14 | 14 | 12 | 14 | 14 | 14 | 16 | 16 | Butt Plate | | |
| 15 | | 48 | 64 | 64 | 64 | 64 | 64 | 72 | 80 | 40 | 48 | 48 | 48 | 56 | 56 | 48 | 56 | 56 | 64 | 64 | Bolt w/Nut | ¾"x2¾" | |
| | 303974 | 48 | 64 | 64 | 64 | 64 | 64 | 72 | 80 | 40 | 48 | 48 | 48 | 56 | 56 | 48 | 56 | 56 | 64 | 64 | Lock Washer | ¾" | |
| 16 | 207932 | 22 | 18 | 22 | 26 | 30 | 34 | 32 | 30 | 0 | 0 | 0 | 0 | 0 | 10 | 12 | 16 | 18 | 14 | 16 | Double End Spacer | 9" Spac. | |
| | 207347 | 0 | 0 | 0 | 0 | 0 | 0 | 0 | 0 | 28 | 26 | 30 | 34 | 32 | 36 | 16 | 12 | 14 | 16 | 18 | 20 | Double End Spacer | 10½" Spac. |
| 17 | 208267 | 8 | 14 | 10 | 8 | 8 | 8 | 10 | 10 | 0 | 0 | 0 | 0 | 0 | 6 | 4 | 4 | 4 | 6 | 4 | 4-Disc Axle, 9" Spac. | 33¼" | |
| | 208178 | 0 | 2 | 6 | 6 | 4 | 2 | 4 | 10 | 0 | 0 | 0 | 0 | 0 | 2 | 4 | 2 | 0 | 4 | 6 | 5-Disc Axle, 9" Spac. | 42¼" | |
| | 208174 | 2 | 0 | 0 | 2 | 2 | 2 | 2 | 0 | 0 | 0 | 0 | 0 | 0 | 0 | 0 | 0 | 2 | 0 | 0 | 6-Disc Axle, 9" Spac. | 51¼" | |
| | 208175 | 2 | 0 | 0 | 0 | 2 | 4 | 2 | 0 | 0 | 0 | 0 | 0 | 0 | 0 | 0 | 2 | 2 | 0 | 0 | 7-Disc Axle, 9" Spac. | 60¼" | |
| | 207633 | 0 | 0 | 0 | 0 | 0 | 0 | 0 | 0 | 2 | 0 | 0 | 0 | 0 | 0 | 2 | 0 | 0 | 0 | 0 | 3-Disc Axle, 10½" Spac. | 28" | |
| | 207631 | 0 | 0 | 0 | 0 | 0 | 0 | 0 | 0 | 4 | 2 | 4 | 2 | 6 | 4 | 0 | 2 | 2 | 0 | 0 | 4-Disc Axle, 10½" Spac. | 38¼" | |
| | 207632 | 0 | 0 | 0 | 0 | 0 | 0 | 0 | 0 | 0 | 4 | 2 | 2 | 2 | 2 | 0 | 2 | 2 | 0 | 2 | 5-Disc Axle, 10½" Spac. | 49" | |
| | 207877 | 0 | 0 | 0 | 0 | 0 | 0 | 0 | 0 | 0 | 2 | 4 | 2 | 4 | 0 | 0 | 0 | 2 | 2 | 4 | 6-Disc Axle, 10½" Spac. | 59½" | |
| | 208393 | 0 | 0 | 0 | 0 | 0 | 0 | 0 | 0 | 6 | 4 | 4 | 4 | 4 | 4 | 2 | 2 | 2 | 2 | 2 | 7-Disc Axle, 10½" Spac. | 70" | |
| 18 | 207930 | 24 | 32 | 32 | 32 | 32 | 32 | 36 | 40 | 0 | 0 | 0 | 0 | 0 | 16 | 16 | 16 | 16 | 20 | 20 | Convex Spacer, 9" Spac. | | |
| | 206631 | 0 | 0 | 0 | 0 | 0 | 0 | 0 | 0 | 20 | 24 | 24 | 24 | 28 | 28 | 8 | 12 | 12 | 12 | 12 | Convex Spacer, 10½" Spac. | | |
| 19 | 204330 | 48 | 64 | 64 | 64 | 64 | 64 | 72 | 80 | 40 | 48 | 48 | 48 | 56 | 56 | 48 | 56 | 56 | 64 | 64 | Special Flat Washer | | |
| 20 | 207020 | 24 | 32 | 32 | 32 | 32 | 32 | 36 | 40 | 20 | 24 | 24 | 24 | 28 | 28 | 24 | 28 | 28 | 28 | 32 | Bearing Holder, Regreaseable | | |
| | 304194 | 24 | 32 | 32 | 32 | 32 | 32 | 36 | 40 | 20 | 24 | 24 | 24 | 28 | 28 | 24 | 28 | 28 | 28 | 32 | Alemite (Straight) | ¼" | |
| 21 | | 48 | 64 | 64 | 64 | 64 | 64 | 72 | 80 | 40 | 48 | 48 | 48 | 56 | 56 | 48 | 56 | 56 | 64 | 64 | Bolt w/Nut | ¾"x2½" | |
| | 303958 | 48 | 64 | 64 | 64 | 64 | 64 | 72 | 80 | 40 | 48 | 48 | 48 | 56 | 56 | 48 | 56 | 56 | 64 | 64 | Lock Washer | ¾" | |
| 22 | 207022 | 24 | 32 | 32 | 32 | 32 | 32 | 36 | 40 | 20 | 24 | 24 | 24 | 28 | 28 | 24 | 28 | 28 | 28 | 32 | Ball Bearing, Regreaseable | | |
| 23 | 206630 | 24 | 32 | 32 | 32 | 32 | 32 | 36 | 40 | 0 | 0 | 0 | 0 | 0 | 16 | 16 | 16 | 16 | 20 | 20 | Concave Spacer, 9" Spac. | | |
| | 204437 | 0 | 0 | 0 | 0 | 0 | 0 | 0 | 0 | 20 | 24 | 24 | 24 | 28 | 28 | 8 | 12 | 12 | 12 | 12 | Concave Spacer, 10½" Spac. | | |



| Item No. | Part Number | FOR MODEL | | | | | | | | | | | | | | Description | Size | | | | | |
|----------|-------------|-----------|--------|--------|--------|--------|--------|--------|--------|--------|--------|--------|--------|--------|--------|-------------|------|--------|--------|--------|--|-----------|
| | | 200284 | 200285 | 200286 | 200287 | 200288 | 200289 | 200290 | 200291 | 200310 | 200311 | 200312 | 200313 | 200314 | 200315 | | | 200320 | 200321 | 200322 | 200323 | 200324 |
| 1 | 303906 | 16 | 32 | 32 | 32 | 32 | 32 | 40 | 48 | 8 | 16 | 16 | 16 | 24 | 24 | 16 | 24 | 24 | 24 | 32 | Bolt Sq. Head | ½"x2½" |
| | 304007 | 16 | 32 | 32 | 32 | 32 | 32 | 40 | 48 | 8 | 16 | 16 | 16 | 24 | 24 | 16 | 24 | 24 | 24 | 32 | Nut | ½" |
| | 303955 | 16 | 32 | 32 | 32 | 32 | 32 | 40 | 48 | 8 | 16 | 16 | 16 | 24 | 24 | 16 | 24 | 24 | 24 | 32 | Lock Washer | ½" |
| 2 | 207323 | 4 | 8 | 8 | 8 | 8 | 8 | 10 | 12 | 2 | 4 | 4 | 4 | 6 | 6 | 4 | 6 | 6 | 8 | 8 | Butt Plate Driver | |
| 3 | 207318 | 4 | 8 | 8 | 8 | 8 | 8 | 10 | 12 | 2 | 4 | 4 | 4 | 6 | 6 | 4 | 6 | 6 | 8 | 8 | End Washer Drive | |
| 4 | 207862 | 192 | 256 | 256 | 256 | 256 | 256 | 288 | 320 | 160 | 192 | 192 | 192 | 224 | 224 | 192 | 224 | 224 | 224 | 256 | Self Tapping Screw | #10x24-½" |
| 5 | 207789 | 48 | 64 | 64 | 64 | 64 | 64 | 72 | 80 | 40 | 48 | 48 | 48 | 56 | 56 | 48 | 56 | 56 | 64 | 64 | Seal Cap | |
| 6 | 209171 | 48 | 64 | 64 | 64 | 64 | 64 | 72 | 80 | 40 | 48 | 48 | 48 | 56 | 56 | 48 | 56 | 56 | 64 | 64 | Special Flat Washer | |
| 7 | 207022 | 24 | 32 | 32 | 32 | 32 | 32 | 36 | 40 | 20 | 24 | 24 | 24 | 28 | 28 | 24 | 28 | 28 | 28 | 32 | Ball Bearing, Regreaseable | |
| 8 | 207020 | 24 | 32 | 32 | 32 | 32 | 32 | 36 | 40 | 20 | 24 | 24 | 24 | 28 | 28 | 24 | 28 | 28 | 28 | 32 | Bearing Holder, Regreaseable | |
| | 304194 | 24 | 32 | 32 | 32 | 32 | 32 | 36 | 40 | 20 | 24 | 24 | 24 | 28 | 28 | 24 | 28 | 28 | 28 | 32 | Alemite (Straight) | ¼" |
| 9 | 207863 | 48 | 64 | 64 | 64 | 64 | 64 | 72 | 80 | 40 | 48 | 48 | 48 | 56 | 56 | 48 | 56 | 56 | 64 | 64 | ¼" Graphite Packing | |
| 10 | 208550 | 24 | 32 | 32 | 32 | 32 | 32 | 36 | 40 | 20 | 24 | 24 | 24 | 28 | 28 | 24 | 28 | 28 | 28 | 32 | Sealed Regreaseable Bearing (Complete) | |
| | | | | | | | | | | | | | | | | | | | | | Includes Items 4 thru 9. | |

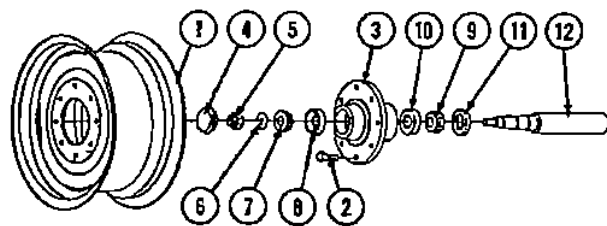


FIG. 5 — WHEEL HUB ASSEMBLY
 WHEEL HUB (COMPLETE) SEE ITEM 13
 WHEEL HUB (REPAIR KIT) SEE ITEM 14

| Item No. | Part Number | FOR MODEL | | | | | | | | | | | | | | | Description | Size | | | | | |
|----------|------------------|-----------|--------|--------|--------|--------|--------|--------|--------|--------|--------|--------|--------|--------|--------|--------|-------------|------|--------|--------|--------|---|--------|
| | | 200284 | 200285 | 200286 | 200287 | 200288 | 200289 | 200290 | 200291 | 200310 | 200311 | 200312 | 200313 | 200314 | 200315 | 200320 | | | 200321 | 200322 | 200323 | 200324 | 200325 |
| 1 | 209866 | 6 | 6 | 6 | 6 | 6 | 6 | 6 | 6 | 6 | 6 | 6 | 6 | 6 | 6 | 6 | 6 | 6 | 6 | 6 | 6 | 15" x 10" Floatation Rims | |
| 2 | 209868 | 48 | 48 | 48 | 64 | 64 | 64 | 64 | 48 | 48 | 64 | 64 | 64 | 64 | 48 | 48 | 64 | 64 | 64 | 64 | 64 | Lug Bolt | |
| 3 | 209880 | 6 | 6 | 6 | 6 | 6 | 6 | 6 | 6 | 6 | 6 | 6 | 6 | 6 | 6 | 6 | 6 | 6 | 6 | 6 | 6 | Wheel Hub | |
| 4 | 209869 | 6 | 6 | 6 | 6 | 6 | 6 | 6 | 6 | 6 | 6 | 6 | 6 | 6 | 6 | 6 | 6 | 6 | 6 | 6 | 6 | Hub Cap | |
| 5 | 204522 304094 | 6 | 6 | 6 | 6 | 6 | 6 | 6 | 6 | 6 | 6 | 6 | 6 | 6 | 6 | 6 | 6 | 6 | 6 | 6 | 6 | Bearing Adjustment Nut | |
| 6 | 303974 | 6 | 6 | 6 | 6 | 6 | 6 | 6 | 6 | 6 | 6 | 6 | 6 | 6 | 6 | 6 | 6 | 6 | 6 | 6 | 6 | Cotter 1/2" x 1 1/4" | |
| 7 | 209871 | 6 | 6 | 6 | 6 | 6 | 6 | 6 | 6 | 6 | 6 | 6 | 6 | 6 | 6 | 6 | 6 | 6 | 6 | 6 | 6 | Flat Washer 7/8" | |
| 8 | 209879 | 6 | 6 | 6 | 6 | 6 | 6 | 6 | 6 | 6 | 6 | 6 | 6 | 6 | 6 | 6 | 6 | 6 | 6 | 6 | 6 | Bearing Cone | |
| 9 | 209870 | 6 | 6 | 6 | 6 | 6 | 6 | 6 | 6 | 6 | 6 | 6 | 6 | 6 | 6 | 6 | 6 | 6 | 6 | 6 | 6 | Bearing Cup | |
| 10 | 209878 | 6 | 6 | 6 | 6 | 6 | 6 | 6 | 6 | 6 | 6 | 6 | 6 | 6 | 6 | 6 | 6 | 6 | 6 | 6 | 6 | Bearing Cup | |
| 11 | 209872 | 6 | 6 | 6 | 6 | 6 | 6 | 6 | 6 | 6 | 6 | 6 | 6 | 6 | 6 | 6 | 6 | 6 | 6 | 6 | 6 | Grease Seal | |
| 12 | 209873 | 2 | 2 | 2 | 0 | 0 | 0 | 0 | 0 | 0 | 2 | 2 | 0 | 0 | 0 | 2 | 2 | 0 | 0 | 0 | 0 | Stub Axle (Assembly for Single Hub) | |
| | 209874 | 2 | 2 | 2 | 4 | 4 | 4 | 4 | 4 | 4 | 2 | 2 | 4 | 4 | 4 | 2 | 2 | 4 | 4 | 4 | 4 | Stub Axle (Assembly for Double Hub) | |
| 13 | 207889 | 6 | 6 | 6 | 6 | 6 | 6 | 6 | 6 | 6 | 6 | 6 | 6 | 6 | 6 | 6 | 6 | 6 | 6 | 6 | 6 | Wheel Hub (Complete) Includes Items 2, 3, 4, 5, 6, 7, 8, 9, 10, & 11. | |
| 14 | 207937 | 6 | 6 | 6 | 6 | 6 | 6 | 6 | 6 | 6 | 6 | 6 | 6 | 6 | 6 | 6 | 6 | 6 | 6 | 6 | 6 | Wheel Hub Repair Kit. Includes Items 7, 8, 9, 10, & 11. | |

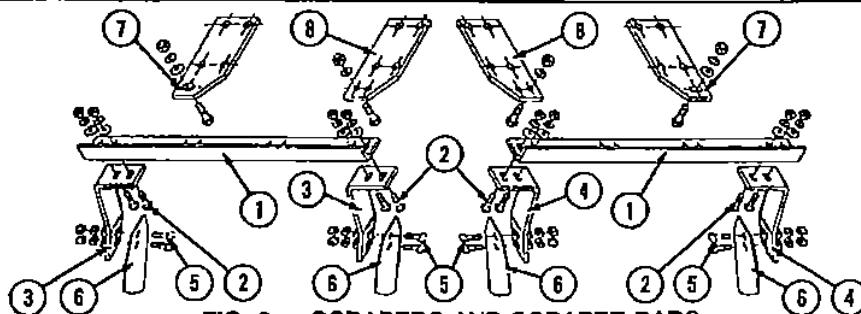


FIG. 6 — SCRAPERS AND SCRAPER BARS

| Item No. | Part Number | FOR MODEL | | | | | | | | | | | | | | | Description | Size | | | | | |
|----------|-------------|-----------|--------|--------|--------|--------|--------|--------|--------|--------|--------|--------|--------|--------|--------|--------|-------------|------|--------|--------|--------|---|--------|
| | | 200284 | 200285 | 200286 | 200287 | 200288 | 200289 | 200290 | 200291 | 200310 | 200311 | 200312 | 200313 | 200314 | 200315 | 200320 | | | 200321 | 200322 | 200323 | 200324 | 200325 |
| 1 | 209793 | 1 | 2 | 1 | 1 | 1 | 1 | 2 | 0 | 0 | 0 | 0 | 0 | 0 | 0 | 1 | 1 | 1 | 1 | 1 | 1 | Right 3-Disc Scraper Bar, 9" Spacing | |
| | 209792 | 1 | 2 | 1 | 1 | 1 | 1 | 1 | 2 | 0 | 0 | 0 | 0 | 0 | 0 | 1 | 1 | 1 | 1 | 1 | 1 | Left 3-Disc Scraper Bar, 9" Spacing | |
| | 209795 | 3 | 5 | 5 | 4 | 4 | 4 | 4 | 3 | 0 | 0 | 0 | 0 | 0 | 0 | 2 | 1 | 1 | 1 | 2 | 1 | Right 4-Disc Scraper Bar, 9" Spacing | |
| | 209794 | 3 | 5 | 5 | 4 | 4 | 4 | 4 | 3 | 0 | 0 | 0 | 0 | 0 | 0 | 2 | 1 | 1 | 1 | 2 | 1 | Left 4-Disc Scraper Bar, 9" Spacing | |
| | 209797 | 1 | 1 | 2 | 2 | 1 | 0 | 3 | 5 | 0 | 0 | 0 | 0 | 0 | 0 | 1 | 2 | 1 | 0 | 2 | 3 | Right 5-Disc Scraper Bar, 9" Spacing | |
| | 209796 | 1 | 1 | 2 | 2 | 1 | 0 | 3 | 5 | 0 | 0 | 0 | 0 | 0 | 0 | 1 | 2 | 1 | 0 | 2 | 3 | Left 5-Disc Scraper Bar, 9" Spacing | |
| | 209799 | 0 | 0 | 0 | 0 | 1 | 1 | 0 | 0 | 0 | 0 | 0 | 0 | 0 | 0 | 0 | 0 | 0 | 1 | 0 | 0 | Right 6-Disc Scraper Bar, 9" Spacing | |
| | 209801 | 0 | 0 | 0 | 0 | 1 | 1 | 0 | 0 | 0 | 0 | 0 | 0 | 0 | 0 | 0 | 0 | 0 | 1 | 0 | 0 | Left 6-Disc Scraper Bar, 9" Spacing | |
| | 209800 | 1 | 0 | 0 | 0 | 1 | 2 | 1 | 0 | 0 | 0 | 0 | 0 | 0 | 0 | 0 | 1 | 1 | 0 | 0 | 0 | Right 7-Disc Scraper Bar, 9" Spacing | |
| | 209529 | 0 | 0 | 0 | 0 | 0 | 0 | 0 | 0 | 1 | 0 | 0 | 0 | 0 | 0 | 1 | 0 | 0 | 0 | 0 | 0 | Left 7-Disc Scraper Bar, 9" Spacing | |
| | 209530 | 0 | 0 | 0 | 0 | 0 | 0 | 0 | 0 | 0 | 1 | 0 | 0 | 0 | 0 | 0 | 1 | 0 | 0 | 0 | 0 | Right 2-Disc Scraper Bar, 10 1/2" Spacing | |
| | 209505 | 0 | 0 | 0 | 0 | 0 | 0 | 0 | 0 | 2 | 1 | 3 | 1 | 4 | 1 | 0 | 0 | 2 | 1 | 1 | 0 | Left 2-Disc Scraper Bar, 10 1/2" Spacing | |
| | 209506 | 0 | 0 | 0 | 0 | 0 | 0 | 0 | 0 | 2 | 1 | 3 | 1 | 4 | 1 | 0 | 0 | 2 | 1 | 1 | 0 | Right 4-Disc Scraper Bar, 10 1/2" Spacing | |
| | 209507 | 0 | 0 | 0 | 0 | 0 | 0 | 0 | 0 | 2 | 0 | 2 | 0 | 1 | 0 | 1 | 0 | 1 | 0 | 1 | 0 | Left 4-Disc Scraper Bar, 10 1/2" Spacing | |
| | 209508 | 0 | 0 | 0 | 0 | 0 | 0 | 0 | 0 | 2 | 0 | 2 | 0 | 1 | 0 | 1 | 0 | 1 | 0 | 1 | 0 | Right 5-Disc Scraper Bar, 10 1/2" Spacing | |
| | 209510 | 0 | 0 | 0 | 0 | 0 | 0 | 0 | 0 | 2 | 1 | 2 | 2 | 2 | 1 | 0 | 0 | 0 | 1 | 1 | 0 | Left 5-Disc Scraper Bar, 10 1/2" Spacing | |
| | 209509 | 0 | 0 | 0 | 0 | 0 | 0 | 0 | 0 | 2 | 1 | 2 | 2 | 2 | 1 | 0 | 0 | 0 | 1 | 1 | 0 | Right 6-Disc Scraper Bar, 10 1/2" Spacing | |
| | | | | | | | | | | | | | | | | | | | | | | Left 6-Disc Scraper Bar, 10 1/2" Spacing | |
| 2 | | 108 | 124 | 132 | 140 | 148 | 156 | 164 | 172 | 98 | 116 | 124 | 132 | 140 | 148 | 116 | 124 | 136 | 144 | 152 | 160 | Carriage Bolt w/Nut 1/2" x 1 1/4" | |
| | | 108 | 124 | 132 | 140 | 148 | 156 | 164 | 172 | 98 | 116 | 124 | 132 | 140 | 148 | 116 | 124 | 136 | 144 | 152 | 160 | Flat Washer 1/2" | |
| | | 108 | 124 | 132 | 140 | 148 | 156 | 164 | 172 | 98 | 116 | 124 | 132 | 140 | 148 | 116 | 124 | 136 | 144 | 152 | 160 | Lock Washer 1/2" | |
| 3 | 209888 | 27 | 31 | 33 | 35 | 37 | 39 | 41 | 43 | 27 | 29 | 31 | 33 | 35 | 37 | 29 | 31 | 34 | 36 | 38 | 40 | Right Scraper Handle | |
| 4 | 209889 | 27 | 31 | 33 | 35 | 37 | 39 | 41 | 43 | 27 | 29 | 31 | 33 | 35 | 37 | 29 | 31 | 34 | 36 | 38 | 40 | Left Scraper Handle | |
| 5 | | 108 | 124 | 132 | 140 | 148 | 156 | 164 | 172 | 98 | 116 | 124 | 132 | 140 | 148 | 116 | 124 | 136 | 144 | 152 | 160 | Carriage Bolt w/Nut 1/2" x 1 1/4" | |
| | | 108 | 124 | 132 | 140 | 148 | 156 | 164 | 172 | 98 | 116 | 124 | 132 | 140 | 148 | 116 | 124 | 136 | 144 | 152 | 160 | Flat Washer 1/2" | |
| | | 108 | 124 | 132 | 140 | 148 | 156 | 164 | 172 | 98 | 116 | 124 | 132 | 140 | 148 | 116 | 124 | 136 | 144 | 152 | 160 | Lock Washer 1/2" | |
| 6 | 209851 | 54 | 62 | 66 | 70 | 74 | 78 | 82 | 86 | 49 | 58 | 62 | 66 | 70 | 74 | 58 | 62 | 68 | 72 | 76 | 80 | Scraper Blade | |
| 7 | 209502 | 24 | 32 | 32 | 32 | 32 | 32 | 36 | 40 | 16 | 20 | 20 | 20 | 24 | 16 | 20 | 24 | 24 | 24 | 24 | 28 | Scraper Bar Connector (Spring) | |
| | | 24 | 32 | 32 | 32 | 32 | 32 | 36 | 40 | 16 | 20 | 20 | 20 | 24 | 16 | 20 | 24 | 24 | 24 | 24 | 28 | Bolt w/Nut 5/8" x 1 3/4" | |
| | | 24 | 32 | 32 | 32 | 32 | 32 | 36 | 40 | 16 | 20 | 20 | 20 | 24 | 16 | 20 | 24 | 24 | 24 | 24 | 28 | Flat Washer 5/8" | |
| | | 24 | 32 | 32 | 32 | 32 | 32 | 36 | 40 | 16 | 20 | 20 | 20 | 24 | 16 | 20 | 24 | 24 | 24 | 24 | 28 | Lock Washer 5/8" | |
| 8 | 209501 | 24 | 32 | 32 | 32 | 32 | 32 | 36 | 40 | 16 | 20 | 20 | 20 | 24 | 16 | 20 | 24 | 24 | 24 | 24 | 28 | Scraper Bar Connector (Rigid) | |
| | | 24 | 32 | 32 | 32 | 32 | 32 | 36 | 40 | 16 | 20 | 20 | 20 | 24 | 16 | 20 | 24 | 24 | 24 | 24 | 28 | Bolt w/Nut 5/8" x 1 3/4" | |
| | | 24 | 32 | 32 | 32 | 32 | 32 | 36 | 40 | 16 | 20 | 20 | 20 | 24 | 16 | 20 | 24 | 24 | 24 | 24 | 28 | Lock Washer 5/8" | |

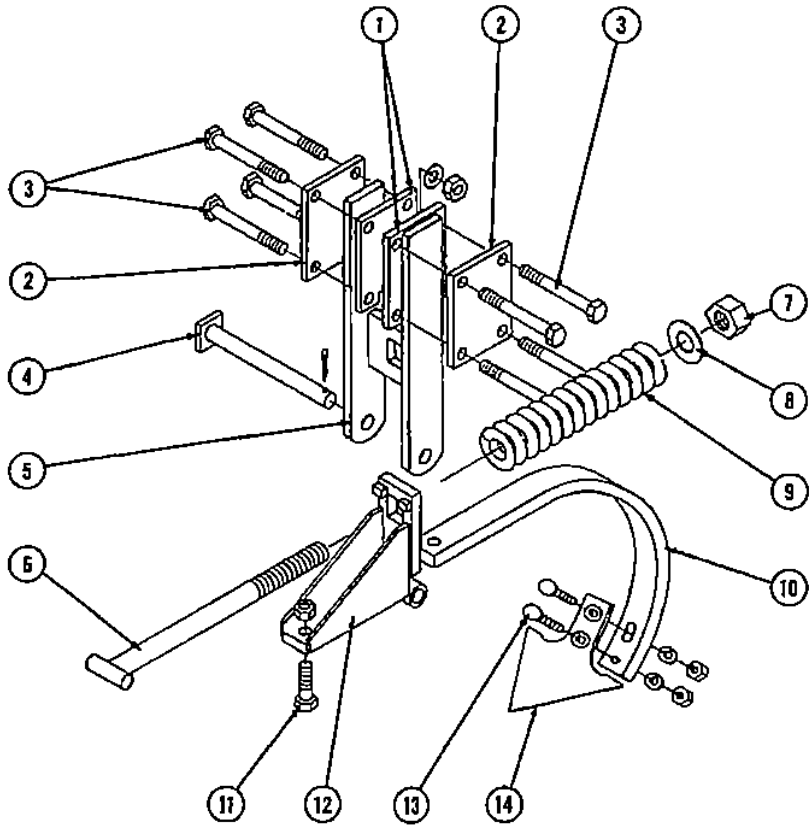


FIG. 7 — BALK BREAKER ATTACHMENT

| Item No. | Part Number | FOR MODEL | | | | | | | | | | | | | | | Description | Size | | | | | | | | | | | | |
|----------|-------------|-----------|--------|--------|--------|--------|--------|--------|--------|--------|--------|--------|--------|--------|--------|--------|-------------|------|--------|--------|--------|--------|--------|---|---|--------------------------|---------------------------|------------------------------------|------------------------------------|-------------------------------------|
| | | 200284 | 200285 | 200286 | 200287 | 200288 | 200289 | 200290 | 200291 | 200310 | 200311 | 200312 | 200313 | 200314 | 200315 | 200320 | | | 200321 | 200322 | 200323 | 200324 | 200325 | | | | | | | |
| 1 | 209472 | 2 | 2 | 2 | 2 | 2 | 2 | 2 | 2 | 2 | 2 | 2 | 2 | 2 | 2 | 2 | 2 | 2 | 2 | 2 | 2 | 2 | 2 | 2 | 2 | Connector Plate (Inside) | | | | |
| 2 | 209471 | 2 | 2 | 2 | 2 | 2 | 2 | 2 | 2 | 2 | 2 | 2 | 2 | 2 | 2 | 2 | 2 | 2 | 2 | 2 | 2 | 2 | 2 | 2 | 2 | 2 | Connector Plate (Outside) | | | |
| 3 | 303394 | 8 | 8 | 8 | 8 | 8 | 8 | 8 | 8 | 8 | 8 | 8 | 8 | 8 | 8 | 8 | 8 | 8 | 8 | 8 | 8 | 8 | 8 | 8 | 8 | 8 | Bolt | $\frac{3}{8}$ " x $5\frac{1}{2}$ " | | |
| | 304008 | 8 | 8 | 8 | 8 | 8 | 8 | 8 | 8 | 8 | 8 | 8 | 8 | 8 | 8 | 8 | 8 | 8 | 8 | 8 | 8 | 8 | 8 | 8 | 8 | 8 | 8 | Nut | $\frac{3}{8}$ " | |
| | 303956 | 8 | 8 | 8 | 8 | 8 | 8 | 8 | 8 | 8 | 8 | 8 | 8 | 8 | 8 | 8 | 8 | 8 | 8 | 8 | 8 | 8 | 8 | 8 | 8 | 8 | 8 | 8 | Lock Washer | $\frac{3}{8}$ " |
| 4 | 209850 | 1 | 1 | 1 | 1 | 1 | 1 | 1 | 1 | 1 | 1 | 1 | 1 | 1 | 1 | 1 | 1 | 1 | 1 | 1 | 1 | 1 | 1 | 1 | 1 | 1 | 1 | Hinge Pin | | |
| | 304137 | 1 | 1 | 1 | 1 | 1 | 1 | 1 | 1 | 1 | 1 | 1 | 1 | 1 | 1 | 1 | 1 | 1 | 1 | 1 | 1 | 1 | 1 | 1 | 1 | 1 | 1 | Cotter | | |
| 5 | 209463 | 1 | 1 | 1 | 1 | 1 | 1 | 1 | 1 | 1 | 1 | 1 | 1 | 1 | 1 | 1 | 1 | 1 | 1 | 1 | 1 | 1 | 1 | 1 | 1 | 1 | 1 | Balk Breaker Slide | | |
| 6 | 209468 | 1 | 1 | 1 | 1 | 1 | 1 | 1 | 1 | 1 | 1 | 1 | 1 | 1 | 1 | 1 | 1 | 1 | 1 | 1 | 1 | 1 | 1 | 1 | 1 | 1 | 1 | Spring Rod | | |
| 7 | 304026 | 1 | 1 | 1 | 1 | 1 | 1 | 1 | 1 | 1 | 1 | 1 | 1 | 1 | 1 | 1 | 1 | 1 | 1 | 1 | 1 | 1 | 1 | 1 | 1 | 1 | 1 | Lock Nut | $1\frac{1}{4}$ " | |
| 8 | 303977 | 1 | 1 | 1 | 1 | 1 | 1 | 1 | 1 | 1 | 1 | 1 | 1 | 1 | 1 | 1 | 1 | 1 | 1 | 1 | 1 | 1 | 1 | 1 | 1 | 1 | 1 | Flat Washer | $1\frac{1}{4}$ " | |
| 9 | 209148 | 1 | 1 | 1 | 1 | 1 | 1 | 1 | 1 | 1 | 1 | 1 | 1 | 1 | 1 | 1 | 1 | 1 | 1 | 1 | 1 | 1 | 1 | 1 | 1 | 1 | 1 | Compression Spring | | |
| 10 | 206726 | 1 | 1 | 1 | 1 | 1 | 1 | 1 | 1 | 1 | 1 | 1 | 1 | 1 | 1 | 1 | 1 | 1 | 1 | 1 | 1 | 1 | 1 | 1 | 1 | 1 | 1 | 22" x 1" Shank | | |
| 11 | 303388 | 1 | 1 | 1 | 1 | 1 | 1 | 1 | 1 | 1 | 1 | 1 | 1 | 1 | 1 | 1 | 1 | 1 | 1 | 1 | 1 | 1 | 1 | 1 | 1 | 1 | 1 | Bolt | $\frac{3}{8}$ " x $2\frac{3}{4}$ " | |
| | 304021 | 1 | 1 | 1 | 1 | 1 | 1 | 1 | 1 | 1 | 1 | 1 | 1 | 1 | 1 | 1 | 1 | 1 | 1 | 1 | 1 | 1 | 1 | 1 | 1 | 1 | 1 | Lock Nut | $\frac{3}{8}$ " | |
| 12 | 209456 | 1 | 1 | 1 | 1 | 1 | 1 | 1 | 1 | 1 | 1 | 1 | 1 | 1 | 1 | 1 | 1 | 1 | 1 | 1 | 1 | 1 | 1 | 1 | 1 | 1 | 1 | Shank Hinge | | |
| 13 | 303899 | 2 | 2 | 2 | 2 | 2 | 2 | 2 | 2 | 2 | 2 | 2 | 2 | 2 | 2 | 2 | 2 | 2 | 2 | 2 | 2 | 2 | 2 | 2 | 2 | 2 | 2 | 2 | Plow Bolt | $\frac{7}{16}$ " x $2\frac{1}{2}$ " |
| | 304006 | 2 | 2 | 2 | 2 | 2 | 2 | 2 | 2 | 2 | 2 | 2 | 2 | 2 | 2 | 2 | 2 | 2 | 2 | 2 | 2 | 2 | 2 | 2 | 2 | 2 | 2 | 2 | Nut | $\frac{7}{16}$ " |
| | 303970 | 2 | 2 | 2 | 2 | 2 | 2 | 2 | 2 | 2 | 2 | 2 | 2 | 2 | 2 | 2 | 2 | 2 | 2 | 2 | 2 | 2 | 2 | 2 | 2 | 2 | 2 | 2 | Flat Washer | $\frac{7}{16}$ " |
| | 303970 | 2 | 2 | 2 | 2 | 2 | 2 | 2 | 2 | 2 | 2 | 2 | 2 | 2 | 2 | 2 | 2 | 2 | 2 | 2 | 2 | 2 | 2 | 2 | 2 | 2 | 2 | 2 | Lock Washer | $\frac{7}{16}$ " |
| 14 | 209408 | 1 | 1 | 1 | 1 | 1 | 1 | 1 | 1 | 1 | 1 | 1 | 1 | 1 | 1 | 1 | 1 | 1 | 1 | 1 | 1 | 1 | 1 | 1 | 1 | 1 | 1 | Sweep | | |

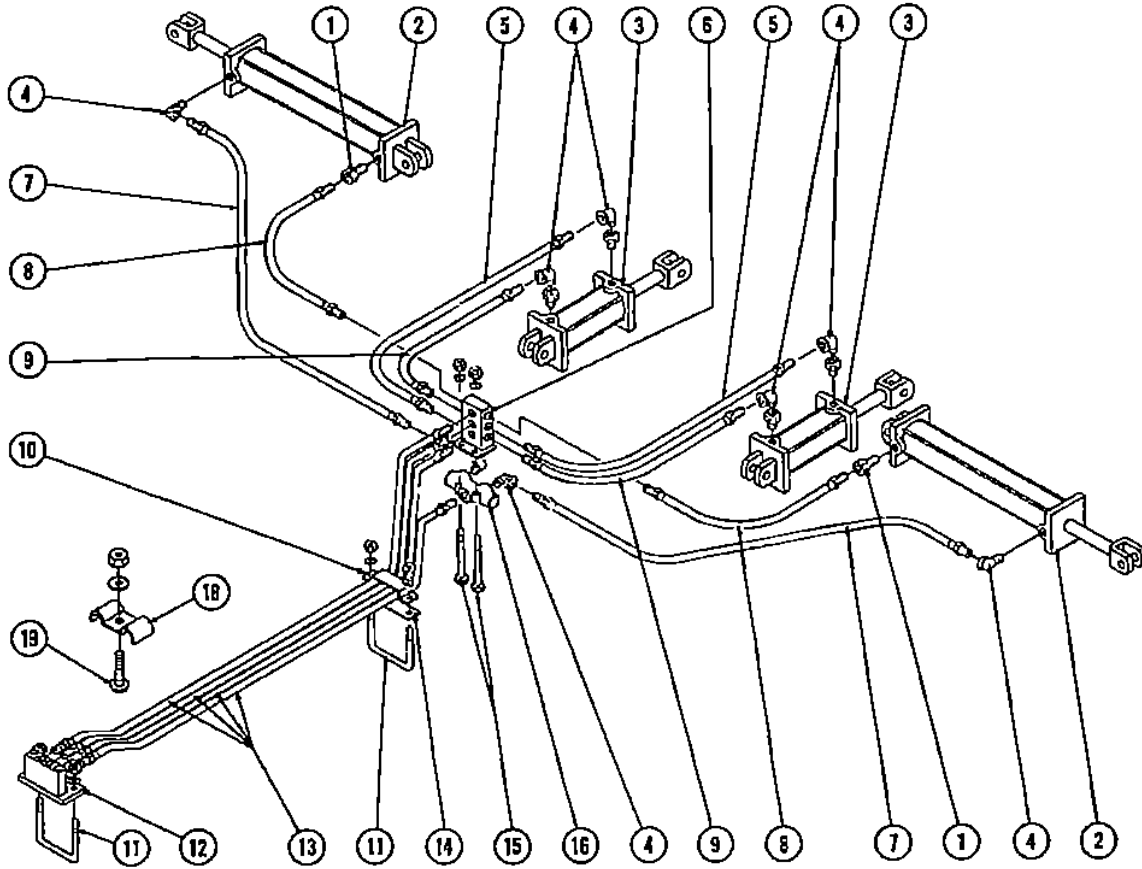


FIG. 8 — HYDRAULIC ASSEMBLY

| Item No. | Part Number | FOR MODEL | | | | | | | | | | | | | | | Description | Size | | | | | | |
|----------|-------------|-----------|--------|--------|--------|--------|--------|--------|--------|--------|--------|--------|--------|--------|--------|--------|-------------|------|--------|--------|--------|--------|---------------------|----------|
| | | 200284 | 200285 | 200286 | 200287 | 200289 | 200289 | 200290 | 200291 | 200310 | 200311 | 200312 | 200313 | 200314 | 200315 | 200320 | | | 200321 | 200322 | 200323 | 200324 | 200325 | |
| 1 | 208569 | 2 | 2 | 2 | 2 | 2 | 2 | 2 | 2 | 2 | 2 | 2 | 2 | 2 | 2 | 2 | 2 | 2 | 2 | 2 | 2 | 2 | Flow Restrictor | |
| 2 | 207987 | 2 | 2 | 2 | 2 | 2 | 2 | 2 | 2 | 2 | 2 | 2 | 2 | 2 | 2 | 2 | 2 | 2 | 2 | 2 | 2 | 2 | Hydraulic Cylinder | 4"x24" |
| 3 | 209368 | 2 | 2 | 2 | 2 | 2 | 2 | 2 | 2 | 2 | 2 | 2 | 2 | 2 | 2 | 2 | 2 | 2 | 2 | 2 | 2 | 2 | Hydraulic Cylinder | 5"x8" |
| 4 | 207982 | 8 | 8 | 8 | 8 | 8 | 8 | 8 | 8 | 8 | 8 | 8 | 8 | 8 | 8 | 8 | 8 | 8 | 8 | 8 | 8 | 8 | Street Elbow | |
| 5 | 207976 | 2 | 2 | 2 | 2 | 2 | 2 | 2 | 2 | 2 | 2 | 2 | 2 | 2 | 2 | 2 | 2 | 2 | 2 | 2 | 2 | 2 | Hydraulic Hose | ½"x60" |
| 6 | 209240 | 1 | 1 | 1 | 1 | 1 | 1 | 1 | 1 | 1 | 1 | 1 | 1 | 1 | 1 | 1 | 1 | 1 | 1 | 1 | 1 | 1 | Manifold | |
| 7 | 209243 | 2 | 2 | 2 | 2 | 2 | 2 | 2 | 2 | 2 | 2 | 2 | 2 | 2 | 2 | 2 | 2 | 2 | 2 | 2 | 2 | 2 | Hydraulic Hose | ½"x135" |
| 8 | 207980 | 2 | 2 | 2 | 2 | 2 | 2 | 2 | 2 | 2 | 2 | 2 | 2 | 2 | 2 | 2 | 2 | 2 | 2 | 2 | 2 | 2 | Hydraulic Hose | ½"x105" |
| 9 | 209226 | 2 | 2 | 2 | 2 | 2 | 2 | 2 | 2 | 2 | 2 | 2 | 2 | 2 | 2 | 2 | 2 | 2 | 2 | 2 | 2 | 2 | Hydraulic Hose | ½"x45" |
| 10 | 209173 | 1 | 1 | 1 | 1 | 1 | 1 | 1 | 1 | 1 | 1 | 1 | 1 | 1 | 1 | 1 | 1 | 1 | 1 | 1 | 1 | 1 | Hose Holder | |
| 11 | 209239 | 2 | 2 | 2 | 2 | 2 | 2 | 2 | 2 | 2 | 2 | 2 | 2 | 2 | 2 | 2 | 2 | 2 | 2 | 2 | 2 | 2 | U-Bolt w/Nuts | ¾" |
| | 303972 | 4 | 4 | 4 | 4 | 4 | 4 | 4 | 4 | 4 | 4 | 4 | 4 | 4 | 4 | 4 | 4 | 4 | 4 | 4 | 4 | 4 | Flat Washer | ¾" |
| | 303956 | 4 | 4 | 4 | 4 | 4 | 4 | 4 | 4 | 4 | 4 | 4 | 4 | 4 | 4 | 4 | 4 | 4 | 4 | 4 | 4 | 4 | Lock Washer | ¾" |
| 12 | 209179 | 1 | 1 | 1 | 1 | 1 | 1 | 1 | 1 | 1 | 1 | 1 | 1 | 1 | 1 | 1 | 1 | 1 | 1 | 1 | 1 | 1 | Header | |
| 13 | 207980 | 4 | 4 | 4 | 4 | 4 | 4 | 4 | 4 | 4 | 4 | 4 | 4 | 4 | 4 | 4 | 4 | 4 | 4 | 4 | 4 | 4 | Hydraulic Hose | ½"x105" |
| 14 | 209611 | 1 | 1 | 1 | 1 | 1 | 1 | 1 | 1 | 1 | 1 | 1 | 1 | 1 | 1 | 1 | 1 | 1 | 1 | 1 | 1 | 1 | Hose Holder Base | |
| 15 | | 2 | 2 | 2 | 2 | 2 | 2 | 2 | 2 | 2 | 2 | 2 | 2 | 2 | 2 | 2 | 2 | 2 | 2 | 2 | 2 | 2 | Bolt w/Nut | ⅝"x3½" |
| | 303952 | 2 | 2 | 2 | 2 | 2 | 2 | 2 | 2 | 2 | 2 | 2 | 2 | 2 | 2 | 2 | 2 | 2 | 2 | 2 | 2 | 2 | Lock Washer | ⅝" |
| | 207984 | 1 | 1 | 1 | 1 | 1 | 1 | 1 | 1 | 1 | 1 | 1 | 1 | 1 | 1 | 1 | 1 | 1 | 1 | 1 | 1 | 1 | Flow Divider | |
| 16 | 207985 | 1 | 1 | 1 | 1 | 1 | 1 | 1 | 1 | 1 | 1 | 1 | 1 | 1 | 1 | 1 | 1 | 1 | 1 | 1 | 1 | 1 | Adapter | 1" to ½" |
| | 207986 | 2 | 2 | 2 | 2 | 2 | 2 | 2 | 2 | 2 | 2 | 2 | 2 | 2 | 2 | 2 | 2 | 2 | 2 | 2 | 2 | 2 | Adapter | ¾" to ½" |
| | 207986 | 4 | 4 | 4 | 4 | 4 | 4 | 4 | 4 | 4 | 4 | 4 | 4 | 4 | 4 | 4 | 4 | 4 | 4 | 4 | 4 | 4 | Adapter | ¾" to ½" |
| 17 | | 8 | 8 | 8 | 8 | 8 | 8 | 8 | 8 | 8 | 8 | 8 | 8 | 8 | 8 | 8 | 8 | 8 | 8 | 8 | 8 | 8 | Hose Clamp | |
| | 208259 | 8 | 8 | 8 | 8 | 8 | 8 | 8 | 8 | 8 | 8 | 8 | 8 | 8 | 8 | 8 | 8 | 8 | 8 | 8 | 8 | 8 | Carriage Bolt w/Nut | ½"x1¼" |
| | | 8 | 8 | 8 | 8 | 8 | 8 | 8 | 8 | 8 | 8 | 8 | 8 | 8 | 8 | 8 | 8 | 8 | 8 | 8 | 8 | 8 | Lock Washer | ½" |

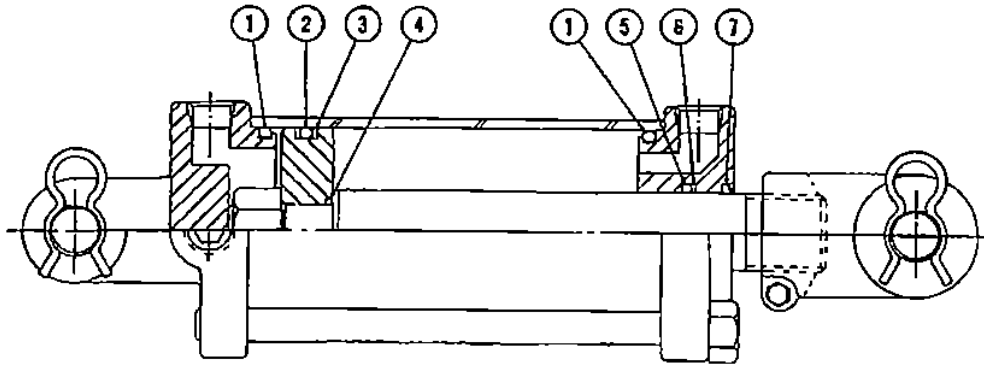


FIG. 9 — 4"x24" HYDRAULIC CYLINDER
SEAL KIT COMPLETE, SEE ITEM 8
CYLINDER COMPLETE, SEE ITEM 9

| Item No. | Part Number | FOR MODEL | | | | | | | | | | | | | | | Description | Size | | | | | | |
|----------|-------------|-----------|--------|--------|--------|--------|--------|--------|--------|--------|--------|--------|--------|--------|--------|--------|-------------|------|--------|--------|--------|--------|---|--------|
| | | 200284 | 200285 | 200286 | 200287 | 200288 | 200289 | 200290 | 200291 | 200310 | 200311 | 200312 | 200313 | 200314 | 200315 | 200320 | | | 200321 | 200322 | 200323 | 200324 | 200325 | |
| 1 | 208852 | 4 | 4 | 4 | 4 | 4 | 4 | 4 | 4 | 4 | 4 | 4 | 4 | 4 | 4 | 4 | 4 | 4 | 4 | 4 | 4 | 4 | O-Ring | 4"x24" |
| 2 | 208853 | 2 | 2 | 2 | 2 | 2 | 2 | 2 | 2 | 2 | 2 | 2 | 2 | 2 | 2 | 2 | 2 | 2 | 2 | 2 | 2 | 2 | O-Ring | 4"x24" |
| 3 | 208854 | 4 | 4 | 4 | 4 | 4 | 4 | 4 | 4 | 4 | 4 | 4 | 4 | 4 | 4 | 4 | 4 | 4 | 4 | 4 | 4 | 4 | B/U Washer | 4"x24" |
| 4 | 208855 | 2 | 2 | 2 | 2 | 2 | 2 | 2 | 2 | 2 | 2 | 2 | 2 | 2 | 2 | 2 | 2 | 2 | 2 | 2 | 2 | 2 | O-Ring | 4"x24" |
| 5 | 208856 | 2 | 2 | 2 | 2 | 2 | 2 | 2 | 2 | 2 | 2 | 2 | 2 | 2 | 2 | 2 | 2 | 2 | 2 | 2 | 2 | 2 | O-Ring | 4"x24" |
| 6 | 208857 | 2 | 2 | 2 | 2 | 2 | 2 | 2 | 2 | 2 | 2 | 2 | 2 | 2 | 2 | 2 | 2 | 2 | 2 | 2 | 2 | 2 | B/U Washer | 4"x24" |
| 7 | 208858 | 2 | 2 | 2 | 2 | 2 | 2 | 2 | 2 | 2 | 2 | 2 | 2 | 2 | 2 | 2 | 2 | 2 | 2 | 2 | 2 | 2 | Wiper | 4"x24" |
| 8 | 208860 | 2 | 2 | 2 | 2 | 2 | 2 | 2 | 2 | 2 | 2 | 2 | 2 | 2 | 2 | 2 | 2 | 2 | 2 | 2 | 2 | 2 | Seal Kit (Complete). Includes Items 1 thru 7. | 4"x24" |
| 9 | 207987 | 2 | 2 | 2 | 2 | 2 | 2 | 2 | 2 | 2 | 2 | 2 | 2 | 2 | 2 | 2 | 2 | 2 | 2 | 2 | 2 | 2 | Hydraulic Cylinder | 4"x24" |

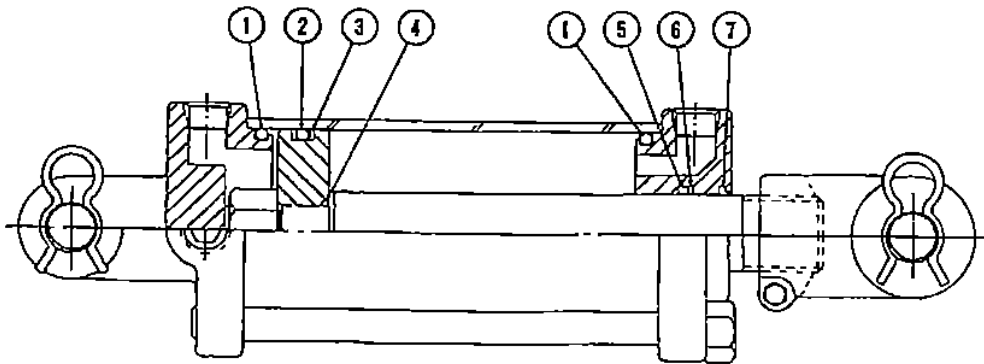


FIG. 10 — 5"x8" HYDRAULIC CYLINDER
SEAL KIT COMPLETE, SEE ITEM 8

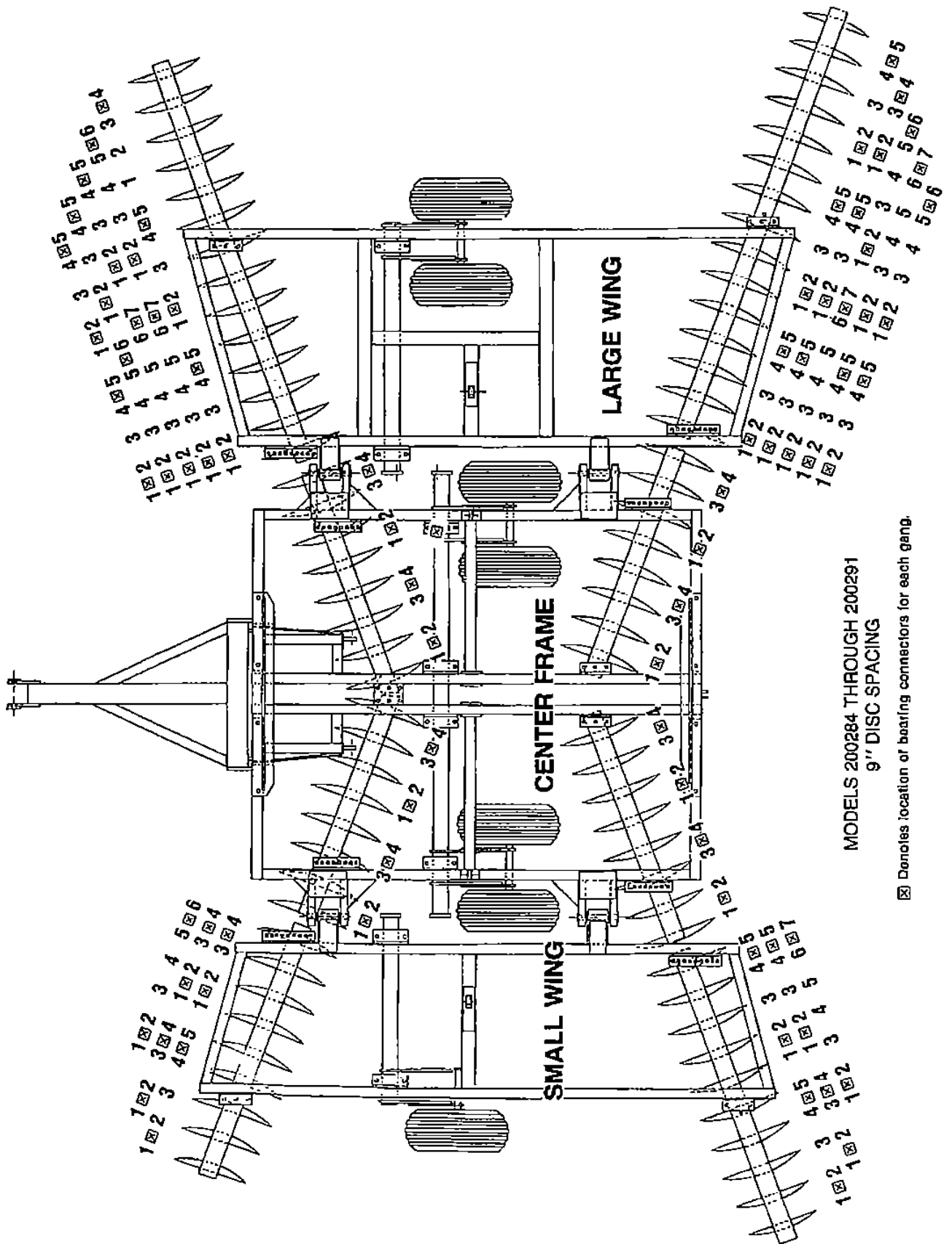
| Item No. | Part Number | FOR MODEL | | | | | | | | | | | | | | | Description | Size | | | | | | |
|----------|-------------|-----------|--------|--------|--------|--------|--------|--------|--------|--------|--------|--------|--------|--------|--------|--------|-------------|------|--------|--------|--------|--------|---|-------|
| | | 200284 | 200285 | 200286 | 200287 | 200288 | 200289 | 200290 | 200291 | 200310 | 200311 | 200312 | 200313 | 200314 | 200315 | 200320 | | | 200321 | 200322 | 200323 | 200324 | 200325 | |
| 1 | 209828 | 4 | 4 | 4 | 4 | 4 | 4 | 4 | 4 | 4 | 4 | 4 | 4 | 4 | 4 | 4 | 4 | 4 | 4 | 4 | 4 | 4 | O-Ring | 5"x8" |
| 2 | 209829 | 2 | 2 | 2 | 2 | 2 | 2 | 2 | 2 | 2 | 2 | 2 | 2 | 2 | 2 | 2 | 2 | 2 | 2 | 2 | 2 | 2 | O-Ring | 5"x8" |
| 3 | 209830 | 4 | 4 | 4 | 4 | 4 | 4 | 4 | 4 | 4 | 4 | 4 | 4 | 4 | 4 | 4 | 4 | 4 | 4 | 4 | 4 | 4 | B/U Washer | 5"x8" |
| 4 | 209831 | 2 | 2 | 2 | 2 | 2 | 2 | 2 | 2 | 2 | 2 | 2 | 2 | 2 | 2 | 2 | 2 | 2 | 2 | 2 | 2 | 2 | O-Ring | 5"x8" |
| 5 | 209832 | 2 | 2 | 2 | 2 | 2 | 2 | 2 | 2 | 2 | 2 | 2 | 2 | 2 | 2 | 2 | 2 | 2 | 2 | 2 | 2 | 2 | O-Ring | 5"x8" |
| 6 | 209833 | 2 | 2 | 2 | 2 | 2 | 2 | 2 | 2 | 2 | 2 | 2 | 2 | 2 | 2 | 2 | 2 | 2 | 2 | 2 | 2 | 2 | B/U Washer | 5"x8" |
| 7 | 209834 | 2 | 2 | 2 | 2 | 2 | 2 | 2 | 2 | 2 | 2 | 2 | 2 | 2 | 2 | 2 | 2 | 2 | 2 | 2 | 2 | 2 | Wiper | 5"x8" |
| 8 | 209846 | 2 | 2 | 2 | 2 | 2 | 2 | 2 | 2 | 2 | 2 | 2 | 2 | 2 | 2 | 2 | 2 | 2 | 2 | 2 | 2 | 2 | Seal Kit (Complete). Includes Items 1 thru 7. | 5"x8" |
| 9 | 209368 | 2 | 2 | 2 | 2 | 2 | 2 | 2 | 2 | 2 | 2 | 2 | 2 | 2 | 2 | 2 | 2 | 2 | 2 | 2 | 2 | 2 | Hydraulic Cylinder | 5"x8" |

PACKING LIST FOR HARROWS EQUIPPED WITH RIGID HANGERS

| UNITS | MODEL NUMBERS | | | | | | | | | | | | | | BOLES. SHPD. | DESCRIPTION | | | | | | |
|--------|---------------|-------|-------|-------|-------|-------|-------|-------|--------|--------|--------|--------|--------|--------|--------------|-------------|--------|--------|--------|--------|--------|--|
| | 20284 | 20285 | 20286 | 20287 | 20288 | 20289 | 20290 | 20291 | 200310 | 200311 | 200312 | 200313 | 200314 | 200315 | | | 200320 | 200321 | 200322 | 200323 | 200324 | 200325 |
| 201982 | 1 | | | | | | | | | | | | | | | | | | | | 1 | Tongue Bundle w/Dbl. Drawbar Clevis |
| 201883 | 1 | | | | | | | | | | | | | | | | | | | | 1 | Center Frame Bundle |
| 201970 | 1 | | | | | | | | | | | | | | | | | | | | 1 | Right Main Frame Bundle |
| 201971 | 1 | | | | | | | | | | | | | | | | | | | | 1 | Left Main Frame Bundle |
| 202041 | 1 | | | | | | | | | | | | | | | | | | | | 1 | Main Frame Wheel Axle |
| 201972 | 1 | | | | | | | | | | | | | | | | | | | | 1 | Small Right Wing Frame |
| 201973 | 1 | | | | | | | | | | | | | | | | | | | | 1 | Small Left Wing Frame |
| 201974 | 1 | | | | | | | | | | | | | | | | | | | | 1 | Large Right Wing Frame |
| 201975 | 1 | | | | | | | | | | | | | | | | | | | | 1 | Large Left Wing Frame |
| 201043 | 1 | | | | | | | | | | | | | | | | | | | | 1 | Small Right Wing Wheel Axle |
| 201044 | 1 | | | | | | | | | | | | | | | | | | | | 1 | Small Left Wing Wheel Axle |
| 201045 | 1 | | | | | | | | | | | | | | | | | | | | 1 | Large Right Wing Wheel Axle |
| 201479 | 2 | 2 | 2 | 2 | 2 | 2 | 2 | 2 | 2 | 2 | 2 | 2 | 2 | 2 | 2 | 2 | 2 | 2 | 2 | 2 | 2 | Large Left Wing Wheel Axle |
| 201276 | 1 | | | | | | | | | | | | | | | | | | | | 1 | Hydraulic Folding Arm Bundle |
| 201957 | 1 | | | | | | | | | | | | | | | | | | | | 1 | Hydraulic Folding Arm Bundle |
| 201956 | 2 | 2 | 2 | 2 | 2 | 2 | 2 | 2 | 2 | 2 | 2 | 2 | 2 | 2 | 2 | 2 | 2 | 2 | 2 | 2 | 2 | Bulk Breaker Bundle |
| 201279 | 2 | 2 | 2 | 2 | 2 | 2 | 2 | 2 | 2 | 2 | 2 | 2 | 2 | 2 | 2 | 2 | 2 | 2 | 2 | 2 | 2 | 3' x 8' Hydraulic Cylinder |
| 201278 | 1 | 1 | 1 | 1 | 1 | 1 | 1 | 1 | 1 | 1 | 1 | 1 | 1 | 1 | 1 | 1 | 1 | 1 | 1 | 1 | 1 | 4' x 24' Hydraulic Cylinder w/Flow Restrictor |
| 202046 | 6 | 6 | 6 | 6 | 6 | 6 | 6 | 6 | 6 | 6 | 6 | 6 | 6 | 6 | 6 | 6 | 6 | 6 | 6 | 6 | 6 | Hydraulic Hose Bundle |
| 201320 | 1 | | | | | | | | | | | | | | | | | | | | 1 | 15' x 10' Rims |
| 201555 | 1 | | | | | | | | | | | | | | | | | | | | 1 | Wing Stop Bundle |
| 201983 | 1 | | | | | | | | | | | | | | | | | | | | 1 | Tongue Jack |
| 201984 | 1 | | | | | | | | | | | | | | | | | | | | 1 | Right Front 8-Disc Gang (9" Spacing, Rigid Hanger) |
| 201985 | 1 | | | | | | | | | | | | | | | | | | | | 1 | Left Front 8-Disc Gang (9" Spacing, Rigid Hanger) |
| 201986 | 1 | | | | | | | | | | | | | | | | | | | | 1 | Right Rear 8-Disc Gang (9" Spacing, Rigid Hanger) |
| 201987 | 1 | | | | | | | | | | | | | | | | | | | | 1 | Left Rear 8-Disc Gang (9" Spacing, Rigid Hanger) |
| 201988 | 1 | | | | | | | | | | | | | | | | | | | | 1 | Right Front 6-Disc Wing Gang (9" Spacing, Rigid Hanger) |
| 201989 | 1 | | | | | | | | | | | | | | | | | | | | 1 | Left Front 6-Disc Wing Gang (9" Spacing, Rigid Hanger) |
| 201990 | 1 | | | | | | | | | | | | | | | | | | | | 1 | Right Rear 7-Disc Wing Gang (9" Spacing, Rigid Hanger) |
| 201991 | 1 | | | | | | | | | | | | | | | | | | | | 1 | Left Rear 7-Disc Wing Gang (9" Spacing, Rigid Hanger) |
| 201992 | 1 | | | | | | | | | | | | | | | | | | | | 1 | Right Front 8-Disc Wing Gang (9" Spacing, Rigid Hanger) |
| 201993 | 1 | | | | | | | | | | | | | | | | | | | | 1 | Left Front 8-Disc Wing Gang (9" Spacing, Rigid Hanger) |
| 201994 | 1 | | | | | | | | | | | | | | | | | | | | 1 | Right Rear 9-Disc Wing Gang (9" Spacing, Rigid Hanger) |
| 201995 | 1 | | | | | | | | | | | | | | | | | | | | 1 | Left Rear 9-Disc Wing Gang (9" Spacing, Rigid Hanger) |
| 201996 | 1 | | | | | | | | | | | | | | | | | | | | 1 | Right Front 9-Disc Wing Gang (9" Spacing, Rigid Hanger) |
| 201997 | 1 | | | | | | | | | | | | | | | | | | | | 1 | Left Front 9-Disc Wing Gang (9" Spacing, Rigid Hanger) |
| 201998 | 1 | | | | | | | | | | | | | | | | | | | | 1 | Right Rear 10-Disc Wing Gang (9" Spacing, Rigid Hanger) |
| 201999 | 1 | | | | | | | | | | | | | | | | | | | | 1 | Left Rear 10-Disc Wing Gang (9" Spacing, Rigid Hanger) |
| 203000 | 1 | | | | | | | | | | | | | | | | | | | | 1 | Right Front 10-Disc Wing Gang (9" Spacing, Rigid Hanger) |
| 202001 | 1 | | | | | | | | | | | | | | | | | | | | 1 | Left Front 10-Disc Wing Gang (9" Spacing, Rigid Hanger) |
| 202002 | 1 | | | | | | | | | | | | | | | | | | | | 1 | Right Rear 11-Disc Wing Gang (9" Spacing, Rigid Hanger) |
| 202003 | 1 | | | | | | | | | | | | | | | | | | | | 1 | Left Rear 11-Disc Wing Gang (9" Spacing, Rigid Hanger) |
| 202004 | 1 | | | | | | | | | | | | | | | | | | | | 1 | Right Front 11-Disc Wing Gang (9" Spacing, Rigid Hanger) |
| 202005 | 1 | | | | | | | | | | | | | | | | | | | | 1 | Left Front 11-Disc Wing Gang (9" Spacing, Rigid Hanger) |
| 202006 | 1 | | | | | | | | | | | | | | | | | | | | 1 | Right Rear 12-Disc Wing Gang (9" Spacing, Rigid Hanger) |
| 202006 | 1 | | | | | | | | | | | | | | | | | | | | 1 | Left Rear 12-Disc Wing Gang (9" Spacing, Rigid Hanger) |

PACKING LIST FOR HARROWS EQUIPPED WITH SPRING HANGERS

| UNITS BUNDLE NUMBER | MODEL NUMBERS | | | | | | | | | | | | | | | | | BDLES. SHPD. | DESCRIPTION | | | | |
|---------------------------|---------------|--------|--------|--------|--------|--------|--------|--------|--------|--------|--------|--------|--------|--------|--------|--------|--------|-----------------|-------------|--------|--------|--------|---|
| | 200284 | 200285 | 200286 | 200287 | 200288 | 200289 | 200290 | 200291 | 200310 | 200311 | 200312 | 200313 | 200314 | 200315 | 200320 | 200321 | 200322 | | | 200323 | 200324 | 200325 | |
| 201982 | 1 | 1 | 1 | 1 | 1 | 1 | 1 | 1 | 1 | 1 | 1 | 1 | 1 | 1 | 1 | 1 | 1 | 1 | 1 | 1 | 1 | 1 | Tongue Bundle w/Dbl. Drawbar Clevis |
| 201883 | 1 | 1 | 1 | 1 | 1 | 1 | 1 | 1 | 1 | 1 | 1 | 1 | 1 | 1 | 1 | 1 | 1 | 1 | 1 | 1 | 1 | 1 | Center Frame Bundle |
| 201970 | 1 | 1 | 1 | 1 | 1 | 1 | 1 | 1 | 1 | 1 | 1 | 1 | 1 | 1 | 1 | 1 | 1 | 1 | 1 | 1 | 1 | 1 | Right Main Frame Bundle |
| 201971 | 1 | 1 | 1 | 1 | 1 | 1 | 1 | 1 | 1 | 1 | 1 | 1 | 1 | 1 | 1 | 1 | 1 | 1 | 1 | 1 | 1 | 1 | Left Main Frame Bundle |
| 202041 | 1 | 1 | 1 | 1 | 1 | 1 | 1 | 1 | 1 | 1 | 1 | 1 | 1 | 1 | 1 | 1 | 1 | 1 | 1 | 1 | 1 | 1 | Main Frame Wheel Axle |
| 201972 | 1 | 1 | 1 | 1 | 1 | 1 | 1 | 1 | 1 | 1 | 1 | 1 | 1 | 1 | 1 | 1 | 1 | 1 | 1 | 1 | 1 | 1 | Small Right Wing Frame |
| 201973 | 1 | 1 | 1 | 1 | 1 | 1 | 1 | 1 | 1 | 1 | 1 | 1 | 1 | 1 | 1 | 1 | 1 | 1 | 1 | 1 | 1 | 1 | Small Left Wing Frame |
| 201974 | 1 | 1 | 1 | 1 | 1 | 1 | 1 | 1 | 1 | 1 | 1 | 1 | 1 | 1 | 1 | 1 | 1 | 1 | 1 | 1 | 1 | 1 | Large Right Wing Frame |
| 201975 | 1 | 1 | 1 | 1 | 1 | 1 | 1 | 1 | 1 | 1 | 1 | 1 | 1 | 1 | 1 | 1 | 1 | 1 | 1 | 1 | 1 | 1 | Large Left Wing Frame |
| 202042 | 1 | 1 | 1 | 1 | 1 | 1 | 1 | 1 | 1 | 1 | 1 | 1 | 1 | 1 | 1 | 1 | 1 | 1 | 1 | 1 | 1 | 1 | Small Right Wing Wheel Axle |
| 202043 | 1 | 1 | 1 | 1 | 1 | 1 | 1 | 1 | 1 | 1 | 1 | 1 | 1 | 1 | 1 | 1 | 1 | 1 | 1 | 1 | 1 | 1 | Small Left Wing Wheel Axle |
| 202044 | 1 | 1 | 1 | 1 | 1 | 1 | 1 | 1 | 1 | 1 | 1 | 1 | 1 | 1 | 1 | 1 | 1 | 1 | 1 | 1 | 1 | 1 | Large Right Wing Wheel Axle |
| 202045 | 1 | 1 | 1 | 1 | 1 | 1 | 1 | 1 | 1 | 1 | 1 | 1 | 1 | 1 | 1 | 1 | 1 | 1 | 1 | 1 | 1 | 1 | Large Left Wing Wheel Axle |
| 201479 | 2 | 2 | 2 | 2 | 2 | 2 | 2 | 2 | 2 | 2 | 2 | 2 | 2 | 2 | 2 | 2 | 2 | 2 | 2 | 2 | 2 | 2 | Hydraulic Folding Arm Bundle |
| 201276 | 1 | 1 | 1 | 1 | 1 | 1 | 1 | 1 | 1 | 1 | 1 | 1 | 1 | 1 | 1 | 1 | 1 | 1 | 1 | 1 | 1 | 1 | Hydraulic Folding Arm Bundle |
| 201957 | 1 | 1 | 1 | 1 | 1 | 1 | 1 | 1 | 1 | 1 | 1 | 1 | 1 | 1 | 1 | 1 | 1 | 1 | 1 | 1 | 1 | 1 | Bulk Breaker Bundle |
| 201956 | 2 | 2 | 2 | 2 | 2 | 2 | 2 | 2 | 2 | 2 | 2 | 2 | 2 | 2 | 2 | 2 | 2 | 2 | 2 | 2 | 2 | 2 | 5" x 8" Hydraulic Cylinder |
| 201279 | 2 | 2 | 2 | 2 | 2 | 2 | 2 | 2 | 2 | 2 | 2 | 2 | 2 | 2 | 2 | 2 | 2 | 2 | 2 | 2 | 2 | 2 | 4" x 24" Hydraulic Cylinder w/Flow Restrictor |
| 201278 | 1 | 1 | 1 | 1 | 1 | 1 | 1 | 1 | 1 | 1 | 1 | 1 | 1 | 1 | 1 | 1 | 1 | 1 | 1 | 1 | 1 | 1 | Hydraulic Hose Bundle |
| 202046 | 6 | 6 | 6 | 6 | 6 | 6 | 6 | 6 | 6 | 6 | 6 | 6 | 6 | 6 | 6 | 6 | 6 | 6 | 6 | 6 | 6 | 6 | 15" x 10" Rims |
| 201320 | 1 | 1 | 1 | 1 | 1 | 1 | 1 | 1 | 1 | 1 | 1 | 1 | 1 | 1 | 1 | 1 | 1 | 1 | 1 | 1 | 1 | 1 | Wing Stop Bundle |
| 201555 | 1 | 1 | 1 | 1 | 1 | 1 | 1 | 1 | 1 | 1 | 1 | 1 | 1 | 1 | 1 | 1 | 1 | 1 | 1 | 1 | 1 | 1 | Tongue Jack |
| 201920 | 1 | 1 | 1 | 1 | 1 | 1 | 1 | 1 | 1 | 1 | 1 | 1 | 1 | 1 | 1 | 1 | 1 | 1 | 1 | 1 | 1 | 1 | Right Front 8-Disc Gang (9" Spacing, Spring Hanger) |
| 201921 | 1 | 1 | 1 | 1 | 1 | 1 | 1 | 1 | 1 | 1 | 1 | 1 | 1 | 1 | 1 | 1 | 1 | 1 | 1 | 1 | 1 | 1 | Left Front 8-Disc Gang (9" Spacing, Spring Hanger) |
| 201922 | 1 | 1 | 1 | 1 | 1 | 1 | 1 | 1 | 1 | 1 | 1 | 1 | 1 | 1 | 1 | 1 | 1 | 1 | 1 | 1 | 1 | 1 | Right Rear 8-Disc Gang (9" Spacing, Spring Hanger) |
| 201923 | 1 | 1 | 1 | 1 | 1 | 1 | 1 | 1 | 1 | 1 | 1 | 1 | 1 | 1 | 1 | 1 | 1 | 1 | 1 | 1 | 1 | 1 | Left Rear 8-Disc Gang (9" Spacing, Spring Hanger) |
| 201924 | 1 | 1 | 1 | 1 | 1 | 1 | 1 | 1 | 1 | 1 | 1 | 1 | 1 | 1 | 1 | 1 | 1 | 1 | 1 | 1 | 1 | 1 | Right Front 6-Disc Wing Gang (9" Spacing, Spring Hanger) |
| 201925 | 1 | 1 | 1 | 1 | 1 | 1 | 1 | 1 | 1 | 1 | 1 | 1 | 1 | 1 | 1 | 1 | 1 | 1 | 1 | 1 | 1 | 1 | Left Front 6-Disc Wing Gang (9" Spacing, Spring Hanger) |
| 201926 | 1 | 1 | 1 | 1 | 1 | 1 | 1 | 1 | 1 | 1 | 1 | 1 | 1 | 1 | 1 | 1 | 1 | 1 | 1 | 1 | 1 | 1 | Right Rear 7-Disc Wing Gang (9" Spacing, Spring Hanger) |
| 201927 | 1 | 1 | 1 | 1 | 1 | 1 | 1 | 1 | 1 | 1 | 1 | 1 | 1 | 1 | 1 | 1 | 1 | 1 | 1 | 1 | 1 | 1 | Left Rear 7-Disc Wing Gang (9" Spacing, Spring Hanger) |
| 201928 | 1 | 1 | 1 | 1 | 1 | 1 | 1 | 1 | 1 | 1 | 1 | 1 | 1 | 1 | 1 | 1 | 1 | 1 | 1 | 1 | 1 | 1 | Right Front 8-Disc Wing Gang (9" Spacing, Spring Hanger) |
| 201929 | 1 | 1 | 1 | 1 | 1 | 1 | 1 | 1 | 1 | 1 | 1 | 1 | 1 | 1 | 1 | 1 | 1 | 1 | 1 | 1 | 1 | 1 | Left Front 8-Disc Wing Gang (9" Spacing, Spring Hanger) |
| 201930 | 1 | 1 | 1 | 1 | 1 | 1 | 1 | 1 | 1 | 1 | 1 | 1 | 1 | 1 | 1 | 1 | 1 | 1 | 1 | 1 | 1 | 1 | Right Rear 9-Disc Wing Gang (9" Spacing, Spring Hanger) |
| 201931 | 1 | 1 | 1 | 1 | 1 | 1 | 1 | 1 | 1 | 1 | 1 | 1 | 1 | 1 | 1 | 1 | 1 | 1 | 1 | 1 | 1 | 1 | Left Rear 9-Disc Wing Gang (9" Spacing, Spring Hanger) |
| 201932 | 1 | 1 | 1 | 1 | 1 | 1 | 1 | 1 | 1 | 1 | 1 | 1 | 1 | 1 | 1 | 1 | 1 | 1 | 1 | 1 | 1 | 1 | Right Front 10-Disc Wing Gang (9" Spacing, Spring Hanger) |
| 201933 | 1 | 1 | 1 | 1 | 1 | 1 | 1 | 1 | 1 | 1 | 1 | 1 | 1 | 1 | 1 | 1 | 1 | 1 | 1 | 1 | 1 | 1 | Left Front 10-Disc Wing Gang (9" Spacing, Spring Hanger) |
| 201934 | 1 | 1 | 1 | 1 | 1 | 1 | 1 | 1 | 1 | 1 | 1 | 1 | 1 | 1 | 1 | 1 | 1 | 1 | 1 | 1 | 1 | 1 | Right Rear 10-Disc Wing Gang (9" Spacing, Spring Hanger) |
| 201935 | 1 | 1 | 1 | 1 | 1 | 1 | 1 | 1 | 1 | 1 | 1 | 1 | 1 | 1 | 1 | 1 | 1 | 1 | 1 | 1 | 1 | 1 | Left Rear 10-Disc Wing Gang (9" Spacing, Spring Hanger) |
| 201936 | 1 | 1 | 1 | 1 | 1 | 1 | 1 | 1 | 1 | 1 | 1 | 1 | 1 | 1 | 1 | 1 | 1 | 1 | 1 | 1 | 1 | 1 | Right Front 11-Disc Wing Gang (9" Spacing, Spring Hanger) |
| 201937 | 1 | 1 | 1 | 1 | 1 | 1 | 1 | 1 | 1 | 1 | 1 | 1 | 1 | 1 | 1 | 1 | 1 | 1 | 1 | 1 | 1 | 1 | Left Front 11-Disc Wing Gang (9" Spacing, Spring Hanger) |
| 201938 | 1 | 1 | 1 | 1 | 1 | 1 | 1 | 1 | 1 | 1 | 1 | 1 | 1 | 1 | 1 | 1 | 1 | 1 | 1 | 1 | 1 | 1 | Right Rear 11-Disc Wing Gang (9" Spacing, Spring Hanger) |
| 201939 | 1 | 1 | 1 | 1 | 1 | 1 | 1 | 1 | 1 | 1 | 1 | 1 | 1 | 1 | 1 | 1 | 1 | 1 | 1 | 1 | 1 | 1 | Left Rear 11-Disc Wing Gang (9" Spacing, Spring Hanger) |
| 201940 | 1 | 1 | 1 | 1 | 1 | 1 | 1 | 1 | 1 | 1 | 1 | 1 | 1 | 1 | 1 | 1 | 1 | 1 | 1 | 1 | 1 | 1 | Right Front 12-Disc Wing Gang (9" Spacing, Spring Hanger) |
| 201941 | 1 | 1 | 1 | 1 | 1 | 1 | 1 | 1 | 1 | 1 | 1 | 1 | 1 | 1 | 1 | 1 | 1 | 1 | 1 | 1 | 1 | 1 | Left Front 12-Disc Wing Gang (9" Spacing, Spring Hanger) |
| 201942 | 1 | 1 | 1 | 1 | 1 | 1 | 1 | 1 | 1 | 1 | 1 | 1 | 1 | 1 | 1 | 1 | 1 | 1 | 1 | 1 | 1 | 1 | Right Rear 12-Disc Wing Gang (9" Spacing, Spring Hanger) |
| 201943 | 1 | 1 | 1 | 1 | 1 | 1 | 1 | 1 | 1 | 1 | 1 | 1 | 1 | 1 | 1 | 1 | 1 | 1 | 1 | 1 | 1 | 1 | Left Rear 12-Disc Wing Gang (9" Spacing, Spring Hanger) |



MODELS 200284 THROUGH 200291
9" DISC SPACING

☒ Denotes location of bearing connectors for each gang.

CENTER FRAME DISC GANG BUNDLES
MODELS 200284 — 200291

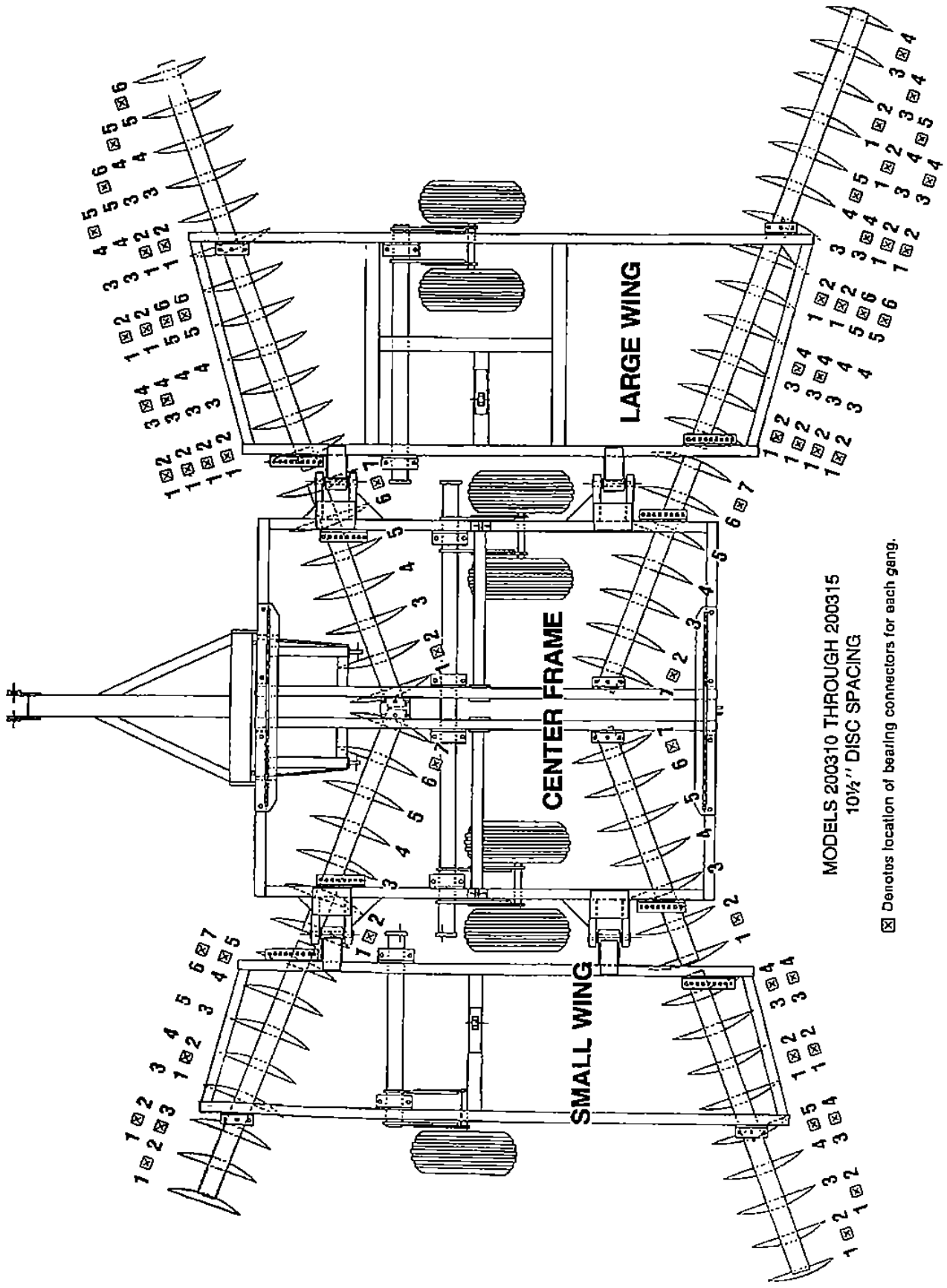
| MODEL NO. | BUNDLE NUMBERS FOR RIGID BEARING CONNECTOR | BUNDLE NUMBERS FOR SPRING BEARING CONNECTOR |
|------------|--|---|
| 200284-291 | Right Front, 8-Disc, 201983 | Right Front, 8-Disc, 201920 |
| 200284-291 | Left Front, 8-Disc, 201984 | Left Front, 8-Disc, 201921 |
| 200284-291 | Right Rear, 8-Disc, 201985 | Right Rear, 8-Disc, 201922 |
| 200284-291 | Left Rear, 8-Disc, 201986 | Left Rear, 8-Disc, 201923 |

SMALL WING DISC GANG BUNDLES
MODELS 200284 — 200286

| MODEL NO. | BUNDLE NUMBERS FOR RIGID BEARING CONNECTOR | BUNDLE NUMBERS FOR SPRING BEARING CONNECTOR |
|-----------|--|---|
| 200284 | Right Front, 6-Disc, 201924 | |
| 200284 | Left Front, 6-Disc, 201925 | |
| 200284 | Right Rear, 7-Disc, 201926 | |
| 200284 | Left Rear, 7-Disc, 201927 | |
| 200284 | | Right Front, 6-Disc, 201987 |
| 200284 | | Left Front, 6-Disc, 201988 |
| 200284 | | Right Rear, 7-Disc, 201989 |
| 200284 | | Left Rear, 7-Disc, 201990 |
| 200285 | Right Front, 8-Disc, 201928 | |
| 200285 | Left Front, 8-Disc, 201929 | |
| 200285 | Right Rear, 9-Disc, 201930 | |
| 200285 | Left Rear, 9-Disc, 201931 | |
| 200285 | | Right Front, 8-Disc, 201991 |
| 200285 | | Left Front, 8-Disc, 201992 |
| 200285 | | Right Rear, 9-Disc, 201993 |
| 200285 | | Left Rear, 9-Disc, 201994 |
| 200286 | Right Front, 9-Disc, 201932 | |
| 200286 | Left Front, 9-Disc, 201933 | |
| 200286 | Right Rear, 10-Disc, 201934 | |
| 200286 | Left Rear, 10-Disc, 201935 | |
| 200286 | | Right Front, 9-Disc, 201995 |
| 200286 | | Left Front, 9-Disc, 201996 |
| 200286 | | Right Rear, 10-Disc, 201997 |
| 200286 | | Left Rear, 10-Disc, 201998 |

LARGE WING DISC GANG BUNDLES
MODELS 200287 — 200291

| MODEL NO. | BUNDLE NUMBERS FOR RIGID BEARING CONNECTOR | BUNDLE NUMBERS FOR SPRING BEARING CONNECTOR |
|-----------|--|---|
| 200287 | Right Front, 10-Disc, 201999 | |
| 200287 | Left Front, 10-Disc, 202000 | |
| 200287 | Right Rear, 11-Disc, 202001 | |
| 200287 | Left Rear, 11-Disc, 202002 | |
| 200287 | | Right Front, 10-Disc, 201936 |
| 200287 | | Left Front, 10-Disc, 201937 |
| 200287 | | Right Rear, 11-Disc, 201938 |
| 200287 | | Left Rear, 11-Disc, 201939 |
| 200288 | Right Front, 11-Disc, 202003 | |
| 200288 | Left Front, 11-Disc, 202004 | |
| 200288 | Right Rear, 12-Disc, 202005 | |
| 200288 | Left Rear, 12-Disc, 202006 | |
| 200288 | | Right Front, 11-Disc, 201940 |
| 200288 | | Left Front, 11-Disc, 201941 |
| 200288 | | Right Rear, 12-Disc, 201942 |
| 200288 | | Left Rear, 12-Disc, 201943 |
| 200289 | Right Front, 12-Disc, 202007 | |
| 200289 | Left Front, 12-Disc, 202008 | |
| 200289 | Right Rear, 13-Disc, 202009 | |
| 200289 | Left Rear, 13-Disc, 202010 | |
| 200289 | | Right Front, 12-Disc, 201944 |
| 200289 | | Left Front, 12-Disc, 201945 |
| 200289 | | Right Rear, 13-Disc, 201946 |
| 200289 | | Left Rear, 13-Disc, 201947 |
| 200290 | Right Front, 13-Disc, 202011 | |
| 200290 | Left Front, 13-Disc, 202012 | |
| 200290 | Right Rear, 14-Disc, 202013 | |
| 200290 | Left Rear, 14-Disc, 202014 | |
| 200290 | | Right Front, 13-Disc, 201948 |
| 200290 | | Left Front, 13-Disc, 201949 |
| 200290 | | Right Rear, 14-Disc, 201950 |
| 200290 | | Left Rear, 14-Disc, 201951 |
| 200291 | Right Front, 14-Disc, 202015 | |
| 200291 | Left Front, 14-Disc, 202016 | |
| 200291 | Right Rear 15-Disc, 202017 | |
| 200291 | Left Rear 15-Disc, 202018 | |
| 200291 | | Right Front, 14-Disc, 201952 |
| 200291 | | Left Front, 14-Disc, 201953 |
| 200291 | | Right Rear, 15-Disc, 201954 |
| 200291 | | Left Rear, 15-Disc, 201955 |



MODELS 200310 THROUGH 200315
10 1/2" DISC SPACING

☒ Denotes location of bearing connectors for each gang.

MAIN FRAME DISC GANG BUNDLES

MODELS 200310 -- 200315

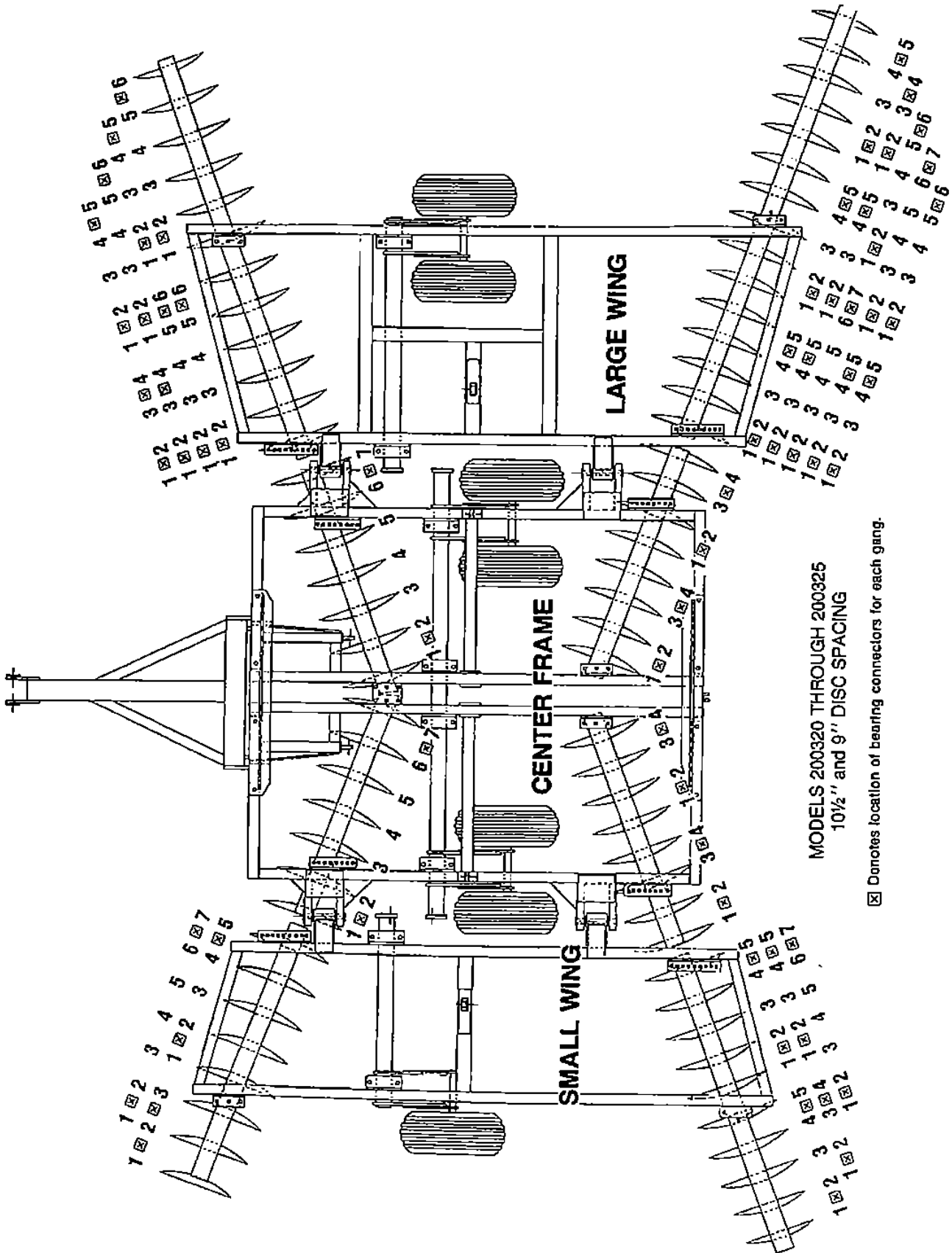
| MODEL NO. | BUNDLE NUMBERS FOR RIGID BEARING CONNECTOR | BUNDLE NUMBERS FOR SPRING BEARING CONNECTOR |
|------------|--|---|
| 200310-315 | Right Front, 7-Disc, 201674 | Right Front, 7-Disc, 201884 |
| 200310-315 | Left Front, 7-Disc, 201675 | Left Front, 7-Disc, 201885 |
| 200310-315 | Right Rear, 7-Disc, 201676 | Right Rear, 7-Disc, 201886 |
| 200310-315 | Left Rear, 7-Disc, 201677 | Left Rear, 7-Disc, 201887 |

SMALL WING DISC GANG BUNDLES
MODELS 200310 & 200311

| MODEL NO. | BUNDLE NUMBERS FOR RIGID BEARING CONNECTOR | BUNDLE NUMBERS FOR SPRING BEARING CONNECTOR |
|-----------|--|---|
| 200310 | Right Front, 7-Disc, 201678 | |
| 200310 | Left Front, 7-Disc, 201679 | |
| 200310 | Right Rear, 8-Disc, 201680 | |
| 200310 | Left Rear, 8-Disc, 201681 | |
| 200310 | | Right Front, 7-Disc, 201888 |
| 200310 | | Left Front, 7-Disc, 201889 |
| 200310 | | Right Rear, 8-Disc, 201890 |
| 200310 | | Left Rear, 8-Disc, 201891 |
| 200311 | | Right Front, 8-Disc, 201892 |
| 200311 | | Left Front, 8-Disc, 201893 |
| 200311 | | Right Rear, 9-Disc, 201894 |
| 200311 | | Left Rear, 9-Disc, 201895 |

LARGE WING DISC GANG BUNDLES
MODELS 200312 -- 200315

| MODEL NO. | BUNDLE NUMBERS FOR RIGID BEARING CONNECTOR | BUNDLE NUMBERS FOR SPRING BEARING CONNECTOR |
|-----------|--|---|
| 200312 | Right Front, 9-Disc, 201686 | Right Front, 9-Disc, 201686 |
| 200312 | Left Front, 9-Disc, 201687 | Left Front, 9-Disc, 201687 |
| 200312 | Right Rear, 10-Disc, 201688 | Right Rear, 10-Disc, 201688 |
| 200312 | Left Rear, 10-Disc, 201689 | Left Rear, 10-Disc, 201689 |
| 200312 | | Right Front, 9-Disc, 201896 |
| 200312 | | Left Front, 9-Disc, 201897 |
| 200312 | | Right Rear, 10-Disc, 201898 |
| 200312 | | Left Rear, 10-Disc, 201899 |
| 200313 | | Right Front, 10-Disc, 201690 |
| 200313 | | Left Front, 10-Disc, 201691 |
| 200313 | | Right Rear, 11-Disc, 201692 |
| 200313 | | Left Rear, 11-Disc, 201693 |
| 200313 | | Right Front, 10-Disc, 201900 |
| 200313 | | Left Front, 10-Disc, 201901 |
| 200313 | | Right Rear, 11-Disc, 201902 |
| 200313 | | Left Rear, 11-Disc, 201903 |
| 200314 | | Right Front, 11-Disc, 201694 |
| 200314 | | Left Front, 11-Disc, 201695 |
| 200314 | | Right Rear, 12-Disc, 201696 |
| 200314 | | Left Rear, 12-Disc, 201697 |
| 200314 | | Right Front, 11-Disc, 201904 |
| 200314 | | Left Front, 11-Disc, 201905 |
| 200314 | | Right Rear, 12-Disc, 201906 |
| 200314 | | Left Rear, 12-Disc, 201907 |
| 200315 | | Right Front, 12-Disc, 201698 |
| 200315 | | Left Front, 12-Disc, 201699 |
| 200315 | | Right Rear, 13-Disc, 201700 |
| 200315 | | Left Rear, 13-Disc, 201701 |
| 200315 | | Right Front, 12-Disc, 201908 |
| 200315 | | Left Front, 12-Disc, 201909 |
| 200315 | | Right Rear, 13-Disc, 201910 |
| 200315 | | Left Rear, 13-Disc, 201911 |



MODELS 200320 THROUGH 200325
 10½" and 9" DISC SPACING

☐ Denotes location of bearing connectors for each gang.

**CENTER FRAME DISC GANG BUNDLES
MODELS 200320 — 200325**

| MODEL NO. | BUNDLE NUMBERS FOR | |
|------------|-----------------------------|-----------------------------|
| | RIGID BEARING CONNECTOR | SPRING BEARING CONNECTOR |
| 200320-325 | Right Front, 7-Disc, 201674 | Right Front, 7-Disc, 201884 |
| 200320-325 | Left Front, 7-Disc, 281675 | Left Front, 7-Disc, 201885 |
| 200320-325 | Right Rear, 8-Disc, 201985 | Right Rear, 8-Disc, 201972 |
| 200320-325 | Left Rear, 8-Disc, 201986 | Left Rear, 8-Disc, 201973 |

**SMALL WING DISC GANG BUNDLES
MODELS 200320 — 200321**

| MODEL NO. | BUNDLE NUMBERS FOR | |
|-----------|-----------------------------|-----------------------------|
| | RIGID BEARING CONNECTOR | SPRING BEARING CONNECTOR |
| 200320 | Right Front, 7-Disc, 201678 | Right Front, 7-Disc, 201889 |
| 200320 | Left Front, 7-Disc, 201679 | Left Front, 7-Disc, 201890 |
| 200320 | Right Rear, 9-Disc, 201993 | Right Rear, 9-Disc, 201930 |
| 200320 | Left Rear, 9-Disc, 201994 | Left Rear 9-Disc, 201931 |
| 200321 | Right Front, 8-Disc, 201682 | Right Front, 8-Disc, 201892 |
| 200321 | Left Front, 8-Disc, 201683 | Left Front, 8-Disc, 201893 |
| 200321 | Right Rear, 10-Disc, 201997 | Right Rear, 10-Disc, 201934 |
| 200321 | Left Rear, 10-Disc, 201998 | Left Rear, 10-Disc, 201935 |

**LARGE WING DISC GANG BUNDLES
MODELS 200322 — 200325**

| MODEL NO. | BUNDLE NUMBERS FOR | |
|-----------|------------------------------|------------------------------|
| | RIGID BEARING CONNECTOR | SPRING BEARING CONNECTOR |
| 200322 | Right Front, 9-Disc, 201686 | Right Front, 9-Disc, 201896 |
| 200322 | Left Front, 9-Disc, 201687 | Left Front, 9-Disc, 201897 |
| 200322 | Right Rear, 12-Disc, 202005 | Right Rear, 12-Disc, 201942 |
| 200322 | Left Rear, 12-Disc, 202006 | Left Rear, 12-Disc, 201943 |
| 200322 | Right Front, 10-Disc, 201690 | Right Front, 10-Disc, 201900 |
| 200322 | Left Front, 10-Disc, 201691 | Left Front, 10-Disc, 201901 |
| 200323 | Right Rear, 13-Disc, 202009 | Right Rear, 13-Disc, 201946 |
| 200323 | Left Rear, 13-Disc, 202010 | Left Rear, 13-Disc, 201947 |
| 200324 | Right Front, 11-Disc, 201694 | Right Front, 11-Disc, 201904 |
| 200324 | Left Front, 11-Disc, 201695 | Left Front, 11-Disc, 201905 |
| 200324 | Right Rear, 14-Disc, 202013 | Right Rear, 14-Disc, 201950 |
| 200324 | Left Rear, 14-Disc, 202014 | Left Rear, 14-Disc, 201951 |
| 200325 | Right Front, 12-Disc, 201698 | Right Front, 12-Disc, 201908 |
| 200325 | Left Front, 12-Disc, 201699 | Left Front, 12-Disc, 201909 |
| 200325 | Right Rear, 15-Disc, 202017 | Right Rear, 15-Disc, 201954 |
| 200325 | Left Rear, 15-Disc, 202018 | Left Rear, 15-Disc, 201955 |

SETTING-UP INSTRUCTIONS

Hydraulic Folding — Flexible Wheel Tandem Harrow

General

Right and left are determined by standing at the rear of the harrow. All items designated as right and left fit into their respective positions on the front section. When used on the rear section, the procedure is reversed and items designated as right will fit onto the left side and vice versa.

These harrows are shipped "Knocked Down" and are bundled as shown on pages 10 through 13.

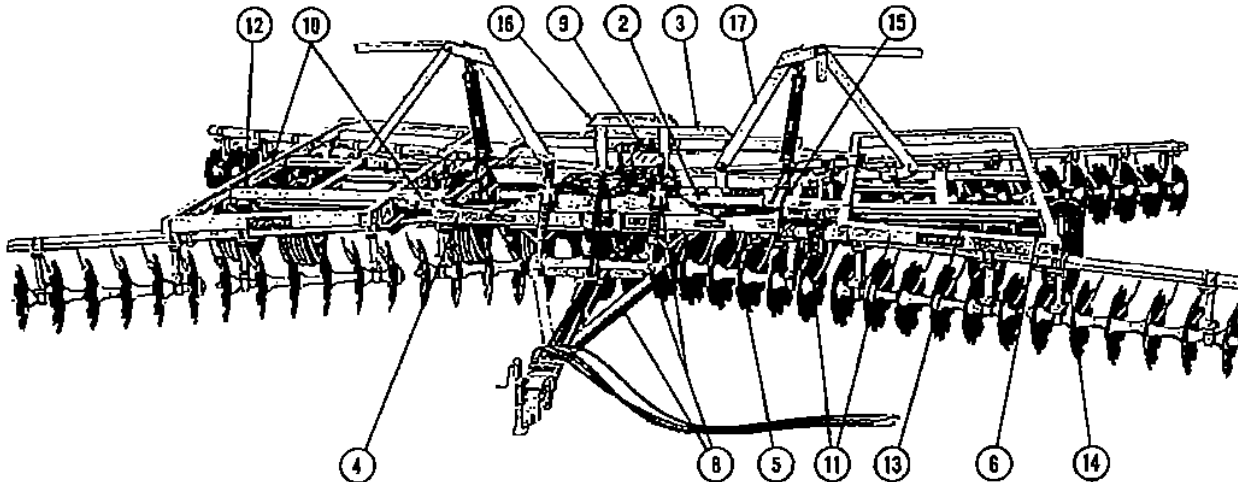


FIG. 14

Basic Harrow Assembly

1. When setting up unit refer to parts lists and diagrams on preceding pages to identify descriptions of parts and assemblies. Also, refer to bundle list to identify the bundles that are used on your particular harrow. Remove all bundling wire and proceed as follows: Remember right and left are determined by viewing from the rear of harrow.
2. Position the main frame wheel axle, bundle number 202041, in the center of the work area with the axles for rim toward the rear and the hydraulic cylinder connector bracket upward.
3. Place the center frame bundle, bundle number 201883, approximately four feet from the ground and over the main frame wheel axle bundle. Remove the eight $\frac{3}{8}$ " \times 7 $\frac{1}{2}$ " bolts from the center frame bundle.
4. Remove the four bolts and plate from the center tube of right main frame. Slide the right main frame, bundle number 201970, between the two flats on the right side of center frame. The front of the right main frame is determined by aligning the bracket for the main frame wheel axle across the unit. Align the holes in the right main frame front and rear tube to match the holes in the center frame bundle. Replace the four $\frac{3}{8}$ " \times 7 $\frac{1}{2}$ " bolts previously removed. Replace the plate and four bolts removed connecting the right main frame to center frame.
5. Repeat procedures in step 4 to connect the left main frame, bundle number 201971, to center frame.
6. Remove the bolts connecting the wheel axle strap (Item 3, Fig. 1) from the center frame and the right and left main frame bundles. Turn the alemitone on the wheel axle bearing toward the rear, if they are not already in this position. Connect the main frame wheel axle to the center frame and right and left main frames.
7. Install the rims with rubber tires onto the hubs of main frame wheel axle.
8. Connect the tongue bundle, bundle number 201816 or 201982, to the center frame. Remove the two pins from the tongue bundle. Align the holes of the tongue to match the holes on the center frame and reinstall the pins. Connect the spring rods to the tongue with the pin found in the cuff end of the spring rod. Connect the other end of the spring rod to the center frame with the two $\frac{3}{8}$ " shoulder bolts found at the connecting points.
9. Insert the depth control bar between the flats on the rear of center frame. Place the other end of the depth control bar between the flats on wheel lift. Align holes and connect with bolt provided.
10. Remove the wing hinge pins and bushings from the right main frame. Insert the bushings in both the front and rear hinges of right wing frame. Align the wing hinge with the hinges on the right main frame and connect with pins previously removed.
11. Repeat procedures in step 10 to connect the left wing frame to the left side of main frame.
12. Remove the bolts from the right wing wheel axle bearing and strap. With the bearing (Item 4, Fig. 1) on top of wheel lift, raise the wheel lift and connect to wing frame with bolts and straps provided.
13. Repeat step 12 for connecting left wing wheel axle.
14. Mount rims with rubber tires on both wing wheel axle hubs.
15. Install the wing wheel axle connector between main frame wheel axle and wing wheel axle, by removing the pins, aligning the holes, and replacing the pins. Adjust the wheel axle connectors until the center frame and wing frames are level across the top when the harrow is setting on level ground.
16. Remove the bolts and bottom plates from the wing stop bundle, bundle number 201320. Place the wing stop over the center frame as shown in Fig. 14 and connect to the center tube of the right and left main frame. Secure the wing stop in place with bolts and plates previously removed.
17. Connect the cylinder arm of bundle number 201276 or 201479 to the main frame by removing the pin on center tube of main frame, aligning holes and reinserting the pin (see Fig. 14). Connect the radius arm and wing float rocker assembly to the right and left wings. Align the hole nearest the center of the rocker assembly, with the wing lift tube on wing frame. With the rocker in this position, the wing lift arm will be to the outside front.
Before going on to step 18 refer to page 16 for assembly of hydraulic cylinders and hoses.
18. If a tractor with hydraulic system is available, connect the hydraulic system to the harrow. Use the hydraulic cylinders on the unit to control the height of the harrow for connecting disc gang bundles. On pages 12, 13, and 14, are layouts of disc gang bundles with respect to harrow frame. Refer to these drawings for correct disc gang placement. Raise or lower the harrow frame to the gang bundle and connect with bolts and plates provided. The angle of the gangs can be changed by a series of holes on the outside gang connector bracket. NOTE: Always place the front gangs in the same angle. Always place the rear gangs in same angle. The front and rear gangs can be at different angles to each other.
19. Adjust and tighten all scrapers. Tighten all bolts and spread all cotters.
20. Retighten all lug bolts after the harrow has been used to insure they are still tight.

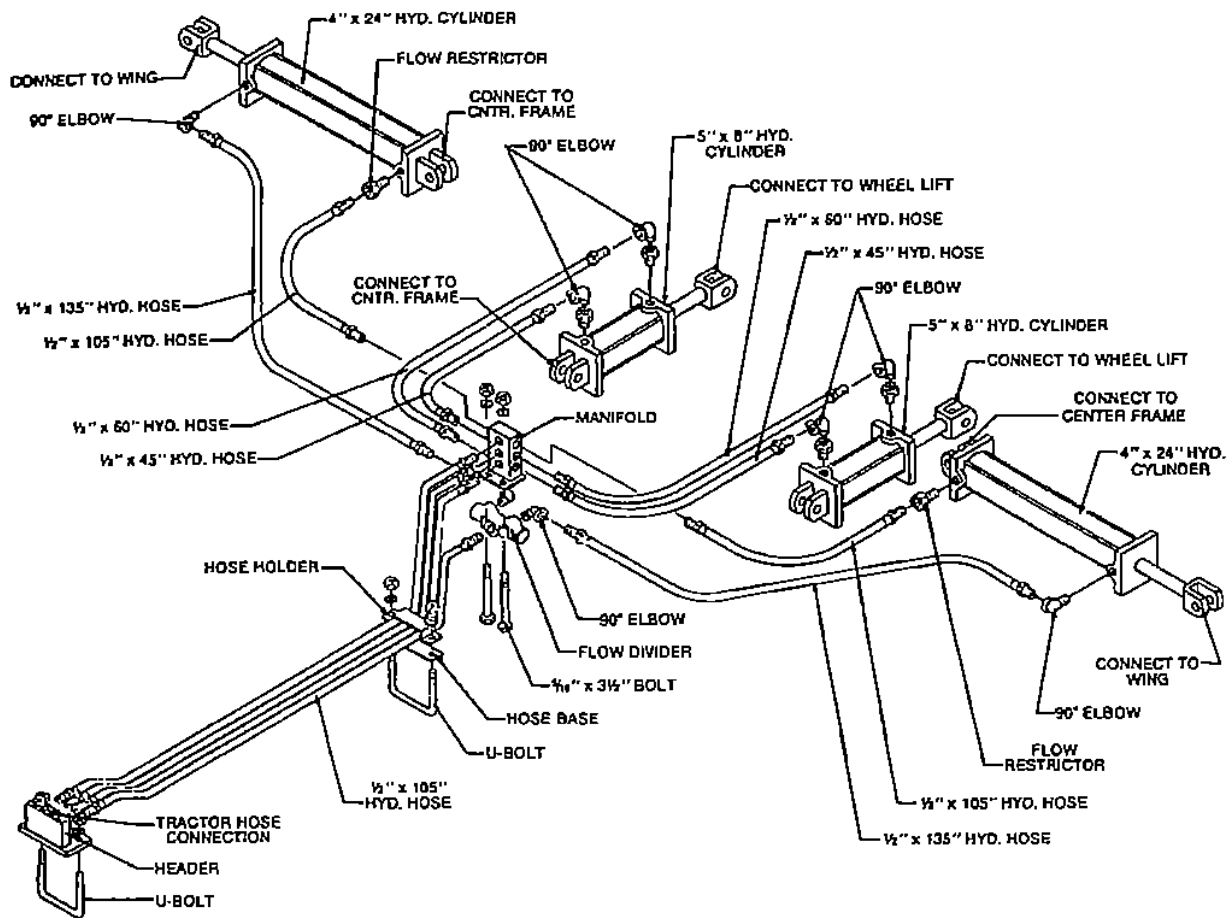


FIG. 15 — HYDRAULIC CYLINDER and HOSE ASSEMBLY

1. Connect the base of two 5" x 8" hydraulic cylinders to the bracket on the main frame, and rod end to floating bracket on the wheel lift.
2. Connect the base of the two 4" x 24" hydraulic cylinders to cylinder bracket on main frame with the hose ports facing to the front of unit. Insert six 90° elbows into hose ports of wheel lift cylinders and wing lift cylinders, using four elbows in wheel lift cylinders, and two elbows in rod end of wing cylinders (see Fig. 15). Insert two flow restrictors into butt end of wing cylinders.
3. Bolt the flow divider and manifold to front of center frame using 3/16" x 3 1/4" bolts, lockwashers, and nuts provided. Next insert a 1" to 1/2" adapter to front of flow divider. Then, insert two 3/4" to 1/2" adapters to rear of flow divider. Insert two 90° elbows into the 3/4" to 1/2" adapters, just installed. When tightened the elbow ports should be turned to outside of harrow.
4. Each hose has only one swivel so it is important to screw the end of hose without swivel in first. Always tighten each hose end

immediately after connection. This is very important on manifold and header because the holes are very close together. Screw two 1/2" x 45" hoses into butt end of wheel lift cylinders. Remember to tighten. Screw the other end in the bottom holes on side of manifold (see Fig. 15). Next, screw two 1/2" x 60" hydraulic hoses into the rod end of wheel lift cylinders, and into the middle hole of manifold. Tighten both ends of hose. Then connect two 1/2" x 105" hoses to flow restrictor located in butt end of 4" x 24" wing lift cylinders. Screw the opposite end or swivel end to top hole of manifold. Next connect two 1/2" x 135" hoses to 90° elbow in rod end of 4" x 24" hydraulic cylinder, screw the opposite end into 90° elbow located in back side of flow divider. To complete hose assembly, connect remaining four 1/2" x 105" hoses to front of manifold and flow divider. Connect other end to header on front of tongue. Clamp hoses onto rear of tongue to hold hoses in place. Also, clamp all hoses to center frame with hose clamps provided (see Fig. 15).

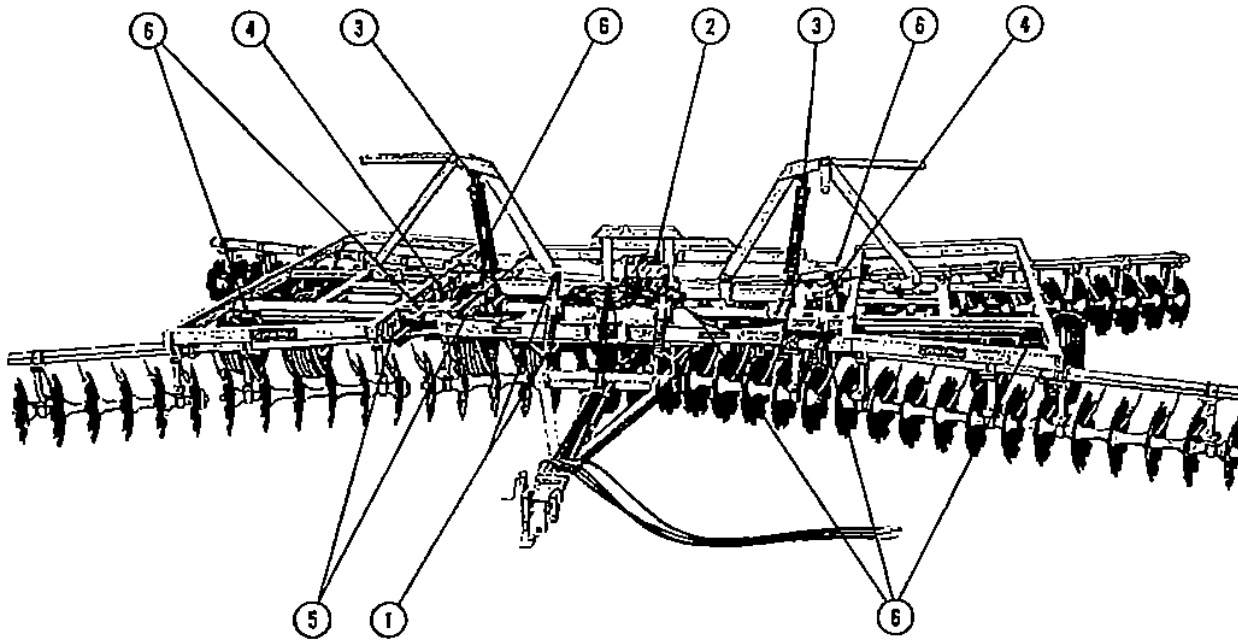


FIG. 16

OPERATING INSTRUCTIONS

Front to Rear Leveling

See Item 1, Figure 16

To level the harrow from front to rear, use the Spring Adjustment Rods, (Item 1, Fig. 16). Loosen the 1 $\frac{3}{8}$ " Nut so that no pressure is exerted on the Top Spring when the harrow is down and in its plowing position. Note: The Bottom Spring is easier to adjust when the harrow is in the transport position. With the Top Spring loose, tighten the Bottom spring by screwing up on the Nut located on the Spring Adjustment Rod to increase the cutting depth of the rear section. To decrease the cutting depth of the rear section, loosen the Bottom Spring by screwing down on the 1 $\frac{3}{8}$ " Nut. After the cutting depth has been adjusted, lift the harrow to its transport position and tighten the Top Spring by screwing down on the 1 $\frac{3}{8}$ " Nut located on top of the Spring Adjustment Rod until the harrow is approximately level.

Adjustment for Leveling Wing

See Item 4, Fig. 16

The wing frame and center frame should be level across the top of unit. If not, lower the harrow to plowing position. Loosen the wing lock nut on the wheel axle connector. Lengthen the wheel axle connector to lower the wing. Shorten the connector to raise the wing. When adjustment has been made, tighten the wing lock nut.

Adjustment of Wing Float

See Item 3, Fig. 16

The wing can be adjusted to have more floating action in the up or down direction. By screwing the hydraulic cylinder cuff "in" for more floating in the down direction and screwing the hydraulic cylinder cuff "out" for more floating in the up direction.

Adjustment for Disc Angle

See Item 5, Fig. 16

The disc angle is changed by removing the two $\frac{1}{2}$ " x 5 $\frac{1}{2}$ " bolts and gang connector strap on the outside of the center section gangs and the inside of the wing gangs. Slide the gangs to the desired angle and replace the straps and bolts previously removed. Always have the same amount of angle in the front gang assemblies and the same amount of angle in the rear gang assemblies.

Adjusting for Ridging or Furrowing

Loosen the U-Bolts holding the bearing connectors and the scraper bars on the rear gang frames. Move all rear disc gang assemblies out if

the harrow is ridging and if the harrow is not filling up the furrow left by the center of the front gangs. Make sure that all U-Bolts are moved the same distance toward or away from the center of the harrow. The speed that the harrow is pulled will affect these adjustments, therefore, adjustments should be made for the speed that the harrow will normally be pulled.

Adjusting for Balk

Loosen the U-Bolts holding the bearing connectors and the scraper bars on the front gang frame. Move all front disc gang assemblies (Fig. 4) in toward the center until the butt plates (Item 10, Fig. 2) are touching. Make sure all U-Bolts are moved the same distance toward the center before tightening. Loosen the U-Bolt holding the bearing connector and the scraper bars on the wing and slide in toward the center until the 9" or 10 $\frac{1}{2}$ " spacing is between the disc on the center section and the wing section.

Depth of Cut

See Item 2, Fig. 16

The depth of cut is controlled by the use of two ASAE standard 5" x 8" double action hydraulic cylinders or by using the depth adjustment bar, cuff, pin and cotter. To adjust the depth of cut using the depth adjustment bar, remove the depth adjustment pin and cotter and slide the depth adjustment cuff forward on depth bar to decrease the depth of cut and to the rear to increase the depth of cut. For transport, move the depth adjustment cuff to the foremost hole. Never pin the depth adjustment cuff in front of the slide which the depth adjustment bar travels through on the rear of the harrow. Also, do not place a wedge or any other object between the rear hydraulic cylinder bracket and the bracket holder welded to the wheel axle to make the harrow lift higher in the transport position.

Lubrication

See Item 6, Fig. 16

The bearings (Item 7 and 9, Fig. 5) used in the wheel hub assemblies are packed with grease at the factory prior to shipment. These bearings should be checked and adjusted periodically and repacked with grease. The harrow should be greased at all Alemite fittings as often as necessary to insure ease of operation and long life of the working parts. (Approx. 300 to 400 hrs.) These points are indicated as (Item 6, Fig. 16). The ball bearings (Item 22, Fig. 2) are regreaseable ball bearings and should be greased daily when operating.

Gang Coupler Attachment

MACHINERY NO. 200093

1. Remove the nut, washer and end washer (Items 1, 2, 3 and 4, Fig. 2) from the axle (Item 17, Fig. 2) in the opening where the two axles are to be connected. Slip the axle (Item 17, Fig. 2) back approximately $1\frac{1}{2}$ ". This will give sufficient clearance to install the coupler. *On the front gangs, start on the outside and work to the inside. On the rear gangs start on the inside and work to the outside.*
2. With the bolts provided, mount the butt plate driver (Item 2, Fig. 3) to the butt plate (Item 14, Fig. 2). Tighten all bolts evenly and securely. Replace the end washer (Item 4, Fig. 2) with the end washer drive (Item 3, Fig. 3) of the coupler.
3. Slip the axle back into its original position and replace the washer and nut (Item 1 and 3, Fig. 2). Tighten securely.

Tightening of Disc Axles

The axles and disc gangs are assembled at the factory prior to shipment. The disc axles (Item 17, Fig. 2) have been tightened sufficiently at the factory. During the first few hours of operation the discs and disc spacer will seat themselves, which tends to loosen the disc axles. After this initial "run in" the disc axles should be retightened to a minimum of 1000 lb.-ft. Unless the disc axle nut is removed for some reason, no further tightening should be necessary. To check the disc axle for looseness, place the harrow in transport position and strike each disc with a light hammer. If the disc has a ringing sound, the axle is tight.

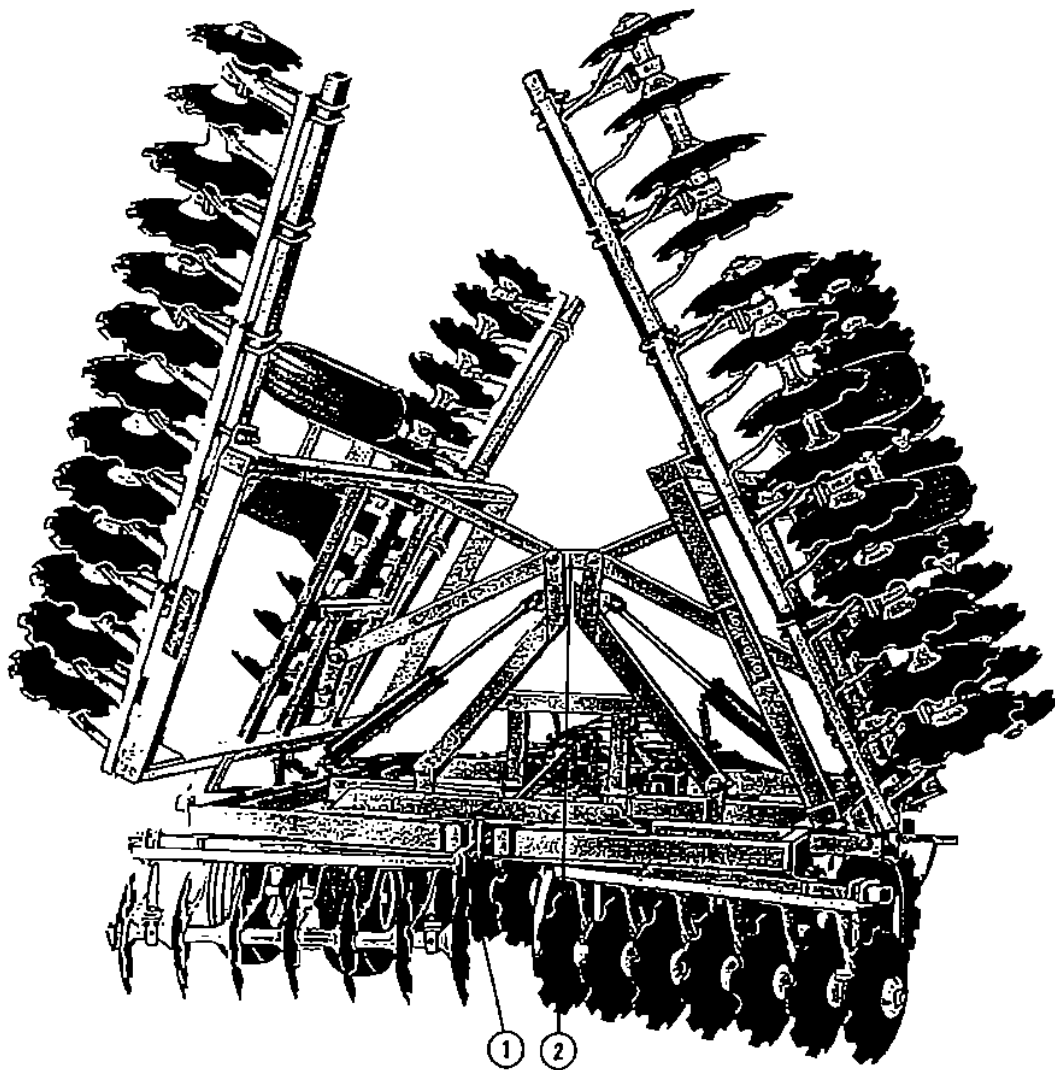


FIG. 17 — TRANSPORT POSITION

Transporting Harrow

See Item 1, Fig. 17

Pin the depth control bar in transport position when transporting. Remove the depth adjustment pin and the depth adjustment cuff. Position the depth adjustment cuff over the hole closest to the front of the unit and replace the depth adjustment pin.

See Item 2, Fig. 17

When transporting the harrow at transport speeds always have the wing assemblies folded. Fold the wings and pin with the safety strap.

TAYLOR IMPLEMENT DIVISION
PITTSBURGH FORGINGS CO.
TRACTOR DRAWN *Taylor-Way* IMPLEMENTS
REG. U. S. PAT. OFF.

ATHENS, TENNESSEE 37303—TELEPHONE (AREA CODE 615) 745-3110