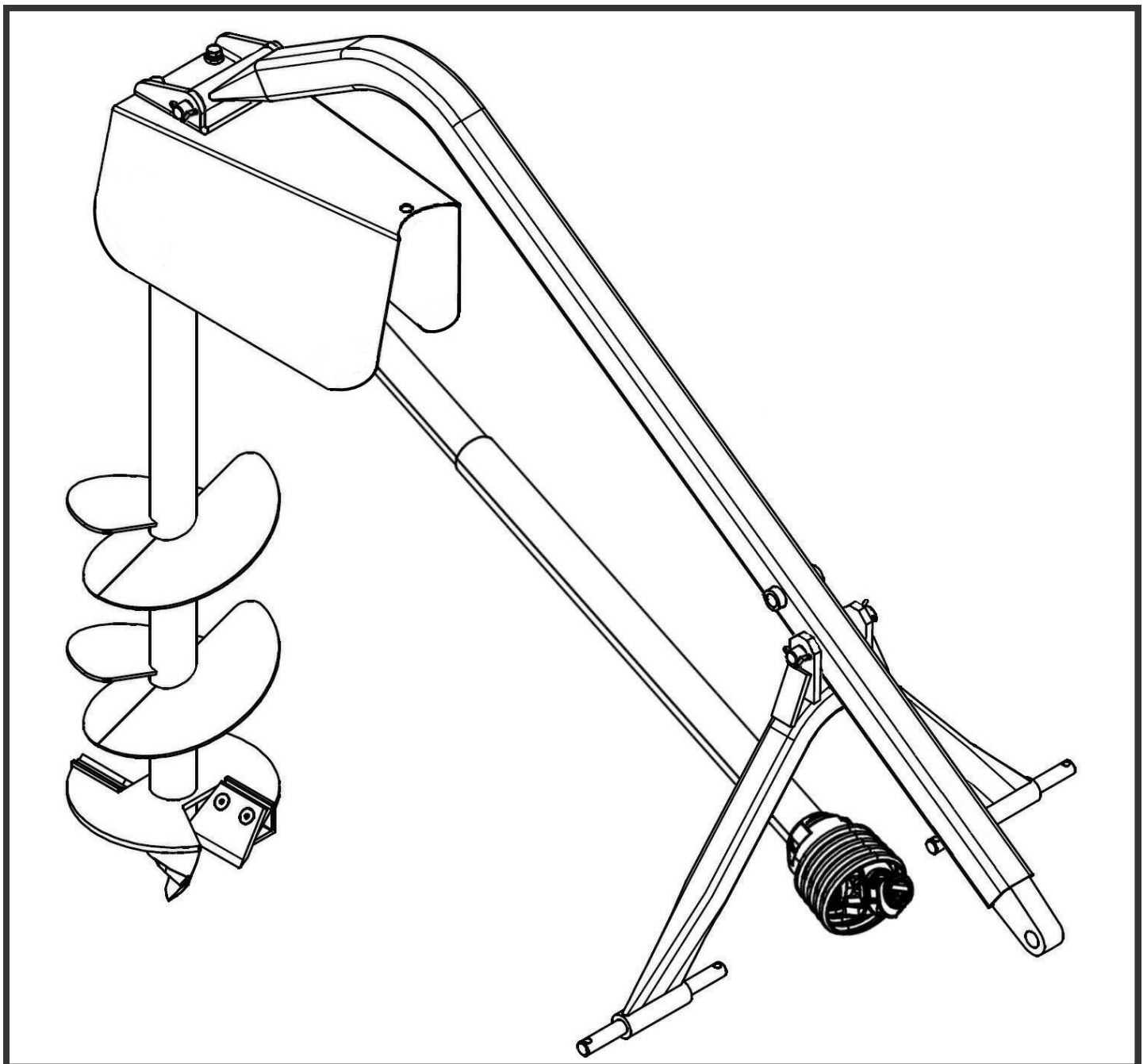


POST HOLE DIGGER PHD-06-SC, PHD-09-SC & PHD-12-SC



TO THE PURCHASER

This manual contains valuable information about your new King Kutter Post Hole Digger. It has been carefully prepared to give you helpful suggestions for operating, adjusting, servicing and ordering repair parts.

Keep this manual in a convenient place for quick and easy reference. Study it carefully. You have purchased a dependable and sturdy post hole digger, but only by proper care and operation can you expect to receive the service and long life designed and built into the product.

Sometime in the future your post hole digger may need new parts to replace those that are worn. If so, go to your dealer and provide him with the model and part number.

Customer Information

Name _____

Purchased From _____

Date Purchased _____

Model No. _____

Serial No. _____

It is the purchaser and/or operator's responsibility to....

- **Read and understand the information contained in this manual.**
- **Operate, lubricate, assemble and maintain the equipment in accordance with all instructions and safety procedures in this manual.**
- **Inspect the equipment and replace or repair any parts that are damaged or worn which under continued operation would cause damage, wear to other parts, or cause a safety hazard.**
- **Return the equipment or parts to the authorized King Kutter dealer, from where it was purchased, for service or replacement of defective parts that are covered by warranty. (The King Kutter Factory or an Authorized King Kutter Dealer may inspect equipment or parts before warranty claims are honored.)**

CONTENTS

ITEM	PAGE
Safety	6
Safety Training	8
Operational Safety.....	10
Transportation & Storage Safety	13
Safety Decals	14-17
Safety Signs Locations	18
Assembly & Attach To Tractor.....	19
Auger Removal	21
Operating Instructions	22
Lubrication Schedule	22
PTO Shaft Parts	23
Replacement Parts.....	24
Warranty	26

SAFETY

READ AND FOLLOW THE INSTRUCTIONS IN THIS MANUAL AND ESPECIALLY IN THE SAFETY SECTION. FAILURE TO DO SO CAN RESULT IN SERIOUS INJURY OR DEATH.

TAKE NOTE! THIS SAFETY ALERT SYMBOL FOUND THROUGHOUT THIS MANUAL IS USED TO CALL YOUR ATTENTION TO INSTRUCTIONS INVOLVING YOUR PERSONAL SAFETY AND THE SAFETY OF OTHERS.



THIS SYMBOL MEANS
ATTENTION!
BECOME ALERT!
YOUR SAFETY IS INVOLVED

SIGNAL WORDS:

The signal words **DANGER**, **WARNING** and **CAUTION** are used with the safety messages in this manual and with each safety signs. They are defined as follows:

DANGER: Indicates an immediate hazardous situation that, if not avoided, could result in serious injury or death. This signal word is to be limited to the most extreme situations typically for machine components that, for functional purposes, cannot be guarded.

WARNING: Indicates a potentially hazardous situation that, if not avoided, could result in serious injury or death, and includes hazards that are exposed when guards are removed. It may also be used to alert against unsafe practices.

CAUTION: Indicates a potentially hazardous situation that, if not avoided, may result in minor or moderate injury. It may also be used to alert against unsafe practice.

If you have any questions not answered in this manual or require additional copies or the manual is damaged, please contact your dealer or King Kutter, Inc.
P.O. Box 1200 Winfield, AL 35594 (205) 487-3202 or www.kingkutter.com

EQUIPMENT SAFETY GUIDELINES



- Safety of the operator and bystanders is one of the main concerns in designing and developing a post hole digger. However, every year accidents occur which could have been avoided by a few seconds of thought and a more careful approach to handling equipment. You, the operator, can avoid many accidents by observing the following precautions and insist those working with you, or for you, follow them.
- In order to provide a better view, certain photographs or illustrations in this manual may show an assembly with a safety shield removed. However, equipment should never be operated in this condition. Keep all shields in place. If shield removal becomes necessary for repairs, replace the shield prior to use.
- Replace any safety sign that is not readable or is missing. Copies of such safety signs are shown in this manual.
- Never use alcoholic beverages or drugs that can hinder alertness or coordination while operating this equipment. Consult your doctor about operating this machine while taking prescription medications.
- **Under no circumstances should children under the age of 18 be allowed to work with this equipment. Do not allow persons to operate or assemble this unit until they have read this manual and have developed a thorough understanding of the safety precautions and of how it works.** Review the safety instructions with all users annually.
- This equipment is dangerous to children and persons unfamiliar with its operation. The operator should be a responsible, properly trained and physically able person familiar with farm machinery and trained in this equipment's operations. If the elderly are assisting with farm work, their physical limitations need to be recognized and accommodated.
- Use a tractor equipped with a Roll Over Protective System and seat belts. (ROPS)
- Never exceed the limits of a piece of machinery. If its ability to do a job, or to do so safely, is in question- **DON'T TRY IT.**
- Do not modify the equipment in any way. Unauthorized modification could result in serious injury or death and may impair the function and life of the equipment.
- In addition to the design and the confirmation of this implement, including safety signs and safety equipment, hazard control and accident prevention are dependent upon the awareness, concern, prudence, and proper training of personnel involved in the operation, transport, maintenance, and storage of the machine. Refer also to safety messages and operation instruction in each of the appropriate sections of the tractor and post hole digger manuals. Pay close attention to the safety signs affixed to the tractor and the post hole digger.

SAFETY TRAINING



- Safety is a primary concern in the design and manufacture of our product. Unfortunately, our efforts to provide safe equipment can be wiped out by a single careless act of an operator or bystander.
- In addition to the design and configuration of equipment, hazard control and accident prevention are dependent upon the awareness, concern, prudence and proper training of personnel involved in the operation, transport, maintenance and storage of this equipment.
- It has been said, “ The best safety device is an informed, careful operator.” We ask you to be that kind of operator. It is the operator’s responsibility to read and understand all safety and operating instructions in the manual and to follow them. Accidents can be avoided.
- Working with unfamiliar equipment can lead to careless injuries. Read this manual, and the manual for your tractor, before assembly or operating, to acquaint yourself with the machines. If this machine is used by any person other than you, or is loaned or rented, it is the post hole digger owner’s responsibility to make certain that owner’s manual be available to the operator prior to operating and that the operator:
 - 1- Reads and understands the operator’s manuals.
 - 2- Is instructed in safe and proper use.
- Know your controls and how to stop tractor, engine, and the post hole digger quickly in an emergency. Read this manual and the one provided with your tractor.
- Train all new personnel and review instructions frequently with existing workers. Be certain only a properly trained and physically able person will operate the machinery. A person who has not read and understood all operating and safety instructions is not qualified to operate the machine. An untrained operator exposes himself and bystanders to possible serious injury or death. If the elderly are assisting with farm work, their physical limitations need to be recognized and accommodated.

PREPARATION



- Never operate the tractor and post hole digger until you have read and completely understand this manual, the Tractor Operator's Manual, and each of the safety messages found on the safety signs on the tractor and digger.
- Personal protection equipment including hardhat, safety glasses, safety shoes, and gloves are recommended during assembly, installation, operation, adjustment, maintenance, repairing, removal, or moving the implement. Do not allow long hair, loose fitting clothing, or jewelry to be around equipment.
- **PROLONGED EXPOSURE TO LOUD NOISE MAY CAUSE PERMANENT HEARING LOSS!** Tractors with or without post hole diggers attached can often be noisy enough to cause permanent, partial hearing loss. We recommend that you wear hearing protection on a full-time basis if the noise in the operator's position exceeds 80 db. Noise over 80 db on a long-term basis can cause severe hearing loss. Noise over 90 db adjacent to the operator over a long-term basis may cause permanent, total hearing loss. **NOTE:** Hearing loss from loud noise (from tractors, chain saws, radios, and other such sources close to the ear) is cumulative over a lifetime without hope of natural recovery.
- Operate the post hole digger only with a tractor equipped with an approved Roll-Over-Protective System (ROPS). Always wear your seat belt. Serious injury or even death could result from falling off the tractor — particularly during a turnover when the operator could be pinned under the ROPS or the tractor.
- Operate only in daylight or good artificial light.
- Ensure the post hole digger is properly mounted, adjusted and in good operating condition.
- Ensure that all safety shielding and safety signs are properly installed and in good condition.

STARTING AND STOPPING SAFETY



- Check the tractor master shield over the PTO stub shaft. Make sure it is in good condition and fastened securely to the tractor. Purchase a new shield if old shield is damaged or missing.
- All tractors that are not equipped with a "live" power takeoff (PTO) need to be equipped with an over-running PTO clutch. These are available through most farm equipment stores. **NOTE:** The addition of an over-running PTO clutch may change the length of the PTO driveline required. Pay extra attention to the instructions on the PTO driveline Installation. Be sure that the driveline system guarding is adequate.
- The post hole digger operating power is supplied from the tractor PTO. Refer to your tractor manual for PTO engagement and disengagement instructions. Know how to stop tractor and post hole digger quickly in case of an emergency. **SEE NOTE 8 ON PG. 18 FOR SAFETY CHAIN HOOKUP**

OPERATIONAL SAFETY



This product is designed to dig holes in the soil when attached to the 3-point linkage system and PTO of a tractor. It is **not** intended for any other use! Using the product for anything other than digging holes could result in serious injury or death!

- The use of this equipment is subject to certain hazards that cannot be protected against by the mechanical means or product design. All operators of this equipment must read and understand this entire manual, paying particular attention to safety and operating instructions, prior to using. If there is something in this manual you do not understand, ask your supervisor, or your dealer, to explain it to you.
- Most accidents occur because of neglect or carelessness. Keep all helpers and bystanders at least several feet from an operating post hole digger. Only properly trained people should operate this machine.
- When machine is operated in populated area **operation must be stopped when anyone comes within 25 feet.**
- The majority of the accidents involve entanglement on the driveline and operators being knocked off the tractor by low hanging limbs. Accidents are most likely to occur with machines that are loaned or rented to someone who has not read the owner's manual and is not familiar with a post hole digger and or a tractor.
- The post hole digger is designed for use only on tractors with **540-RPM** power take off.
- Install and secure all guards and shields before starting or operating. The driveline guards and tractor shields should be used and maintained in good working condition. They should be inspected carefully, at least daily, for missing or broken cable, chain links, shields, or guards. (Worn items must be replaced at once to reduce possibility of injury)
- Disengage power takeoff (PTO) and place transmission in neutral before attempting to start engine.
- Many varied objects, such as wire, cable, rope, or chains, can become entangled in the operating parts of the digger. These items could then swing at great velocities. Such a situation is extremely hazardous. Inspect the area for such objects before digging. Remove any like objects from the site.
- Never allow the auger to contact such items. Never assume an area is clear.
Always Check!

OPERATIONAL SAFETY *continued...*



- Always stop the tractor, disengage PTO, set brake, shut off the tractor engine, remove the ignition key, lower implement to the ground and allow auger to come to a complete stop before dismounting tractor. Never leave equipment unattended with the tractor running.
- Never place hands or feet close to post hole digger with tractor engine running or before you are sure all motion has stopped. Stay clear of all moving parts.
- Do not reach or place any part of your body close to equipment until it is blocked securely.
- Do not allow riders on the tractor at anytime. There is no safe place for any riders.
- Do not operate unless all personnel, livestock, and pets are several feet away to prevent injury.
- The rotating parts of this machine have been designed and tested for rugged use. However, they could fail upon impact with heavy, solid objects such as steel guardrails and concrete abutment. Such impact could cause the broken objects to be thrown outward. To reduce the possibility of property damage, serious injury, or even death, never allow the auger to contact such obstacles.
- Stop the post hole digger and tractor immediately upon striking an obstruction. Turn engine off, remove key, inspect and repair any damage before resuming operation.
- Stay alert for uneven terrain, rocks, and roots and other hidden hazards. Keep away from drop-offs and hazards that could cause roll over. Use extreme care and maintain minimum ground speed when transporting or operating on hillsides, over rough ground and when operating close to ditches or fences. Be careful and slow down when turning sharp corners and changing direction on slopes. Do not start or stop suddenly on slopes. Avoid operation on steep slopes. In extremely uneven terrain, rear wheels weights, front tractor weight, and/or tire ballast should be used to improve stability.
- Always check tractor manual for proper use on slopes.
- When using a unit, a minimum 20% of tractor and equipment weight must be on tractor front wheels. Without this weight, tractor could tip over, causing personal injury or death. The weight may be attained with a front- end loader, front wheel weights, ballast in the tires or front tractor weights. When attaining a minimum 20% of tractor and equipment weight on the front wheels, you must not exceed the ROPS weight certification. Weigh the tractor and equipment. **Do not guess or estimate!**

OPERATIONAL SAFETY *continued...*



- Before digging contact your local utility companies (electrical, telephone, gas, water, sewer and others) before digging so that they can mark the location of any underground services in the area. Be sure to ask just how close you can work to the marks they positioned. Avoid contact with any overhead utility lines or electrically charged conductors.
- Do not operate the digger when the auger is more than 12” above the ground level or the driveline may bind causing injury to the operator and damage to the equipment.
- Do not attempt to manually guide the auger point for location or to manually push down on the auger while it is in operation. Do not put anything or anyone on the auger for the purpose of adding weight to the unit. Objects and people can be thrown or become entangled in the unit.

TRANSPORT SAFETY



- Comply with state and local laws governing highway safety and movement of farm machinery on public roads.
- The use of flashing amber lights is acceptable in most localities. However, some localities prohibit their use. Local laws should be checked for all lighting and marking requirements.
- At all times, when driving the tractor and equipment on the road or highway under 20mph (32kph) use flashing amber warning lights and a slow moving vehicle (SMV) identification emblem. Do not exceed 20 mph (32 kph). Reduce speed on rough roads and surfaces.
- Plan your route to avoid heavy traffic.
- Always install transport locks, pins or brackets before transporting.
- Do not drink and drive.
- Be a safe and courteous driver. Always yield to oncoming traffic in all situations, including narrow bridges, intersections, etc. Watch for traffic when operating near or crossing roadways.
- Turn curves or go up or down hills only at a low speed and at a gradual steering angle. Make certain that a least 20% of the tractor's weight is on the front wheels to maintain safe steerage. Slow down on rough or uneven surface. Always check tractor manual for proper use on slopes.
- Be careful when turning sharp corners.
- Never allow riders on either tractor or post hole digger.

STORAGE SAFETY



- Following operation, or when unhooking the post hole digger, stop the tractor, set the brakes, disengage the PTO, shut off the engine and remove the ignition keys.
- Store the unit in an area away from human activity.
- Do not park equipment where it can be exposed to direct contact to livestock for long periods of time. Damage and livestock injury could result.
- Make sure all parked machines are on a hard, level surface and engage all safety devices.

SAFETY SIGNS

DANGER

TO PREVENT SERIOUS INJURY OR DEATH:

- Read and understand owner's manual before operating.
- Operate only from tractor seat.
- Stay away from rotating parts. Keep others away.
- Do not dig around underground utility lines without checking with authorities.

Si no entiende ingles, se prefiere que busque a alguien que interprete las instrucciones para usted.

1

**Operators Manuals & Parts
are available from
your dealer, or
King Kutter, INC.
Winfield, AL 35594
(205) 487-3202
or
www.kingkutter.com**

2

! DANGER

	<p>Rotating Parts Hazard Keep Away To Prevent Serious Injury or Death from Rotating Parts:</p> <ul style="list-style-type: none"> • Read and understand owner's manual before operating. • Do not operate without all shields and guards in place. • Do not use body weight to force the auger into the ground or to locate auger point when auger is turning. • Keep away from auger, cutting head and driveline when engine is running. <p><i>Si no entiende ingles, se prefiere que busque a alguien que interprete las instrucciones para usted.</i></p>	
---	---	---

3

! DANGER

DO NOT ATTACH THIS IMPLEMENT OR ATTEMPT TO OPERATE UNTIL YOU HAVE READ AND UNDERSTOOD ALL INSTRUCTIONS IN THE OWNER'S MANUAL. IF AN OWNER'S MANUAL IS NOT AVAILABLE PLEASE CONTACT YOUR DEALER.

4


 7 03996 00518 8

MODEL NO.
DESCRIPTION
SN# XXXXXXXXXXXX

5



6



7

! DANGER



**ROTATING DRIVELINE CONTACT CAN CAUSE DEATH
KEEP AWAY!**

DO NOT OPERATE WITHOUT -

- All driveline guards, tractor and equipment shields in place.
- Driveline securely attached at both ends.
- Driveline guards that turn freely on driveline

8

! DANGER



Rotating Parts Hazard

Keep Away To Prevent Serious Injury or Death from Rotating Parts:

- Read and understand owner's manual before operating.
- Do not operate without all shields and guards in place.
- Do not use body weight to force the auger into the ground or to locate auger point when auger is turning.
- Keep away from auger and cutting head when engine is running.

10

! DANGER

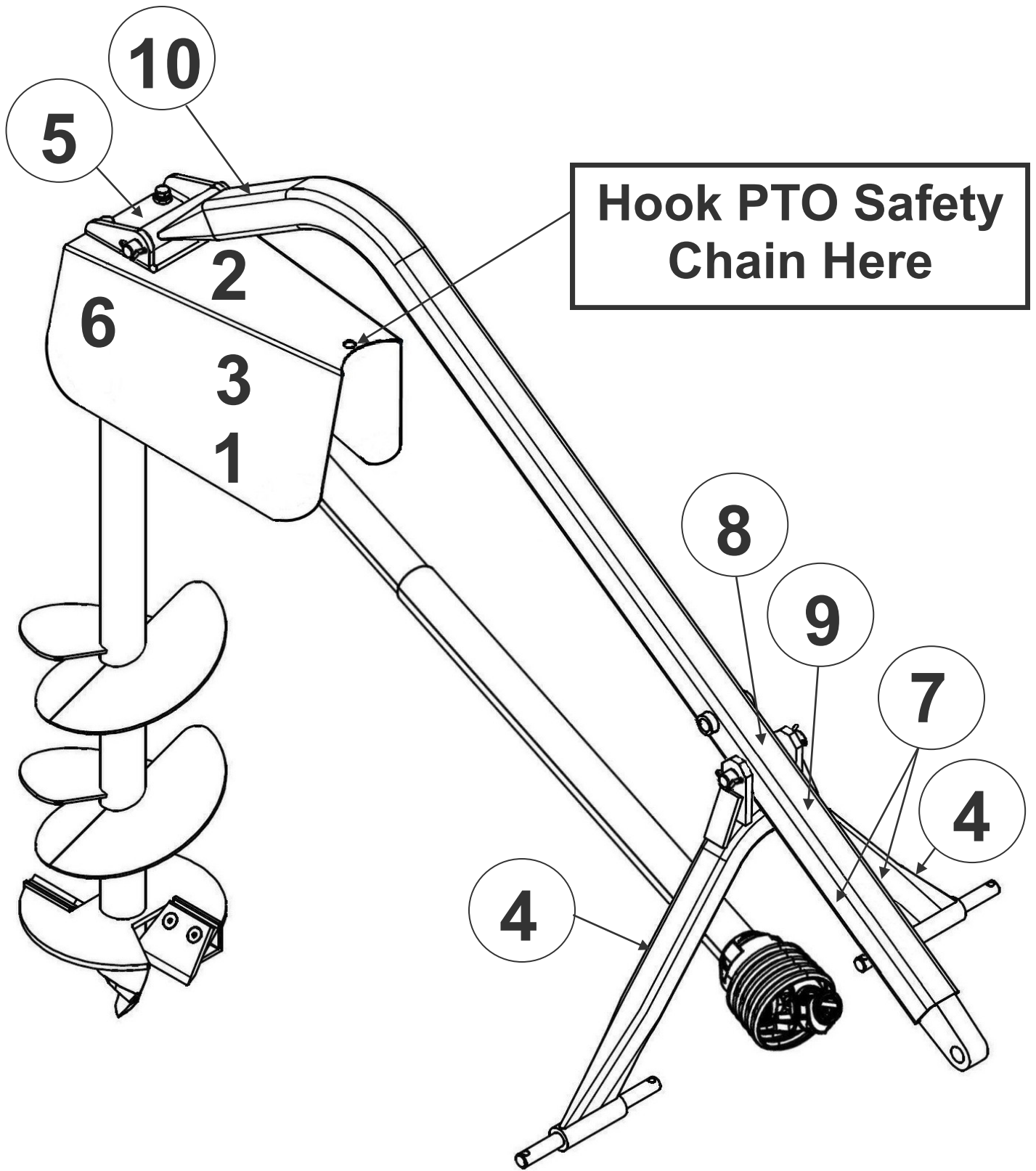
PTO ADAPTERS SHOULD NOT BE USED WITH ANY POST HOLE DIGGER EQUIPMENT



- The PTO adapter length will cause an unshielded shaft area between the tractor master shield and the driveline shield.
- Contact with and entanglement in the unshielded rotating PTO adapter area can cause serious injury or death.
- The use of a PTO adapter can cause equipment overspeed, driveline failures and damage to tractor and implement.
- Only connect to 540 RPM PTO.

9

SAFETY SIGNS LOCATIONS



ASSEMBLY & ATTACHING TO TRACTOR

1. Attach arch to main frame with pin and cotter pins provided.
2. Attach gearbox shield to gearbox with bolts provided, then attach gearbox and shield to the main frame with pin and cotter pins provided.
3. Connect end of main frame of post hole digger to tractor where top link normally attaches.



WARNING

Never stand between tractor and post hole digger while backing up tractor to the hitch.



4. Use inside or outside arch pins, to hook up lower link arms, whichever ones fits your tractor hitch best.
5. Lift up post hole digger and attach the auger, first put stop washer on, then screw auger onto gearbox, hand tight.

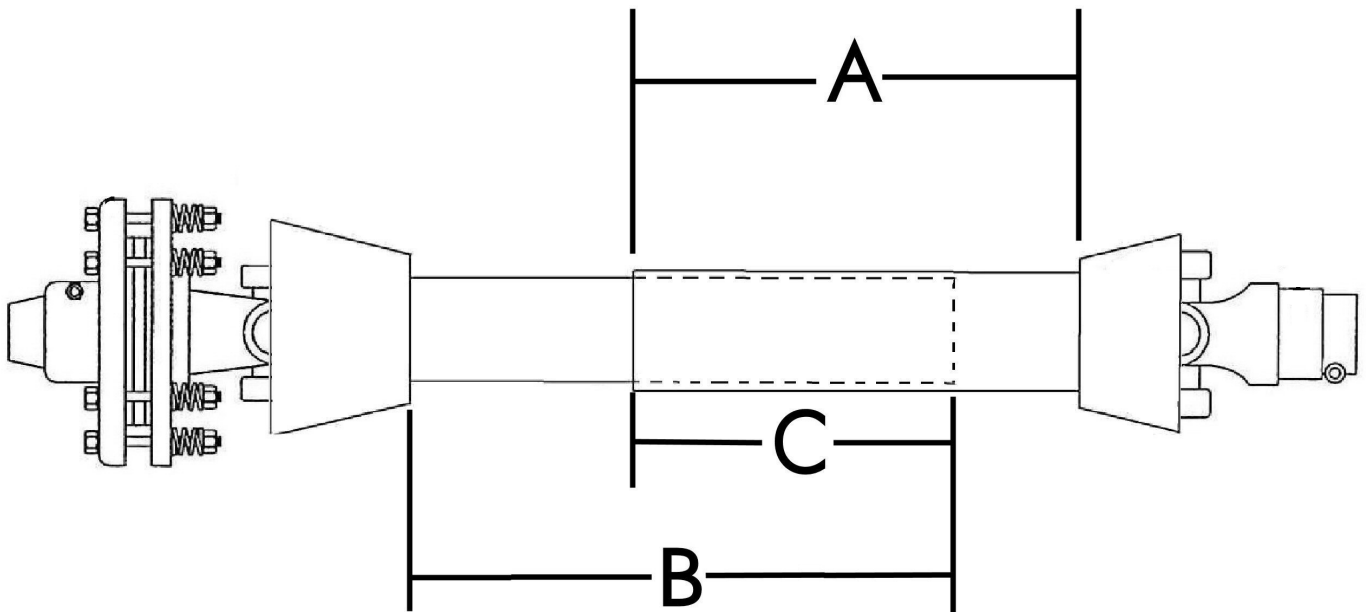
LUBRICATE PTO INNER AND OUTER TUBES

6. Separate PTO drive shaft. Use a good TYPE/Grade II tube grease and put a light coat on the drive shaft halves. Then reinsert male shaft into female shaft drive tube, then grease fittings on U-joints.
7. Snap tractor end yoke on tractor PTO.
8. Attach chain on outer driveline shield to tractor and the one on inner driveline shield to post hole digger. This is very important for operator safety and failure to do so may result in injury or death!
9. Raise and lower the boom through it's complete operation arch and check that nothing interferes with the operation. If anything interferes, make the proper three-point adjustments.

ATTACHING TO TRACTOR *continued....*

CHECK DRIVELINE FOR MINIMUM OVERLAP

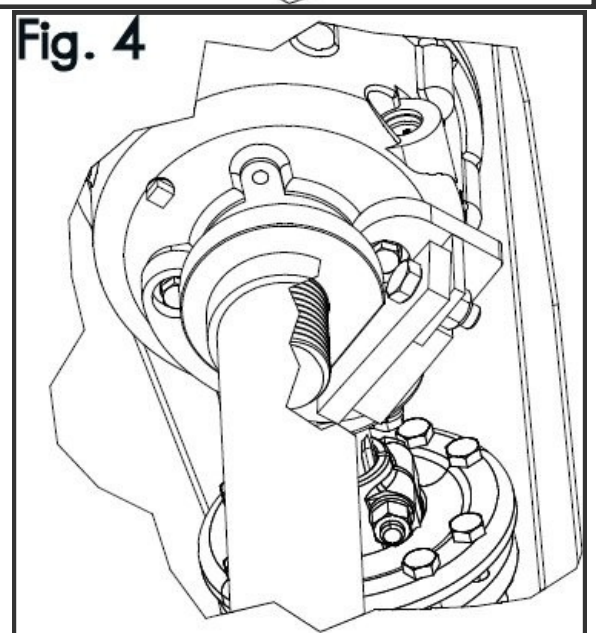
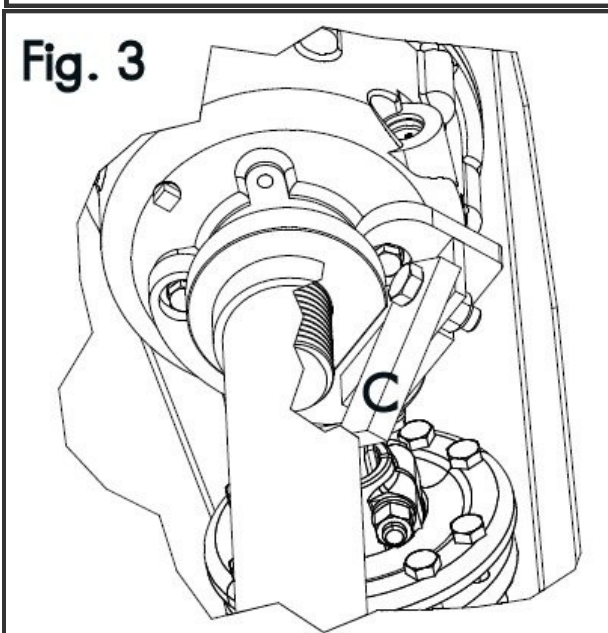
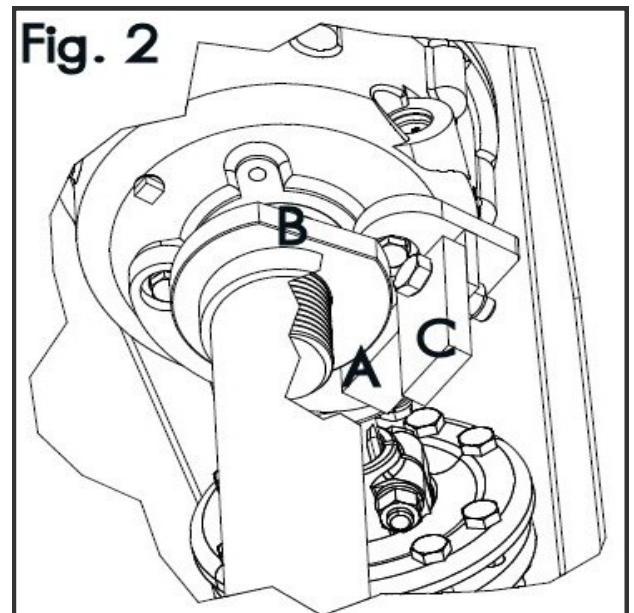
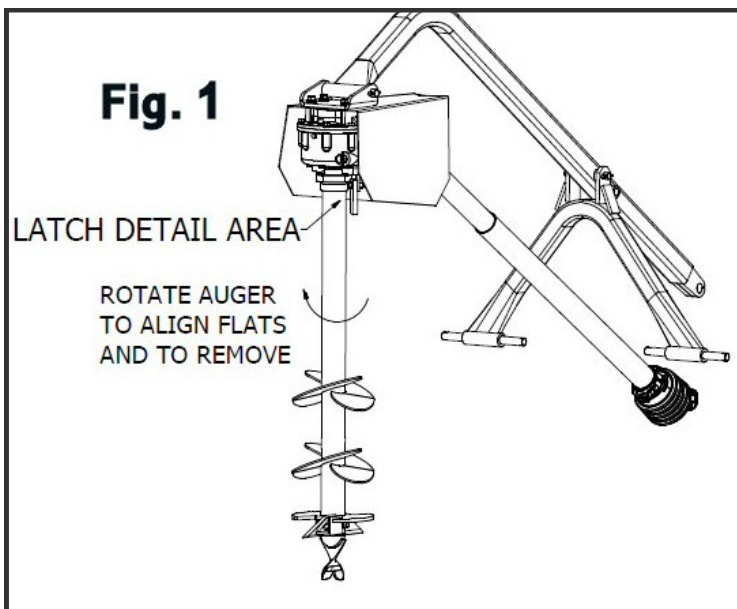
10. (SEE FIGURE BELOW) With PTO shaft hooked to tractor & post hole digger raise and lower digger to find PTO's longest extended point and at that point measure length of cover of the PTO at **(A)**, transfer the measurement of **(A)** to **(B)**, mark cover at the end of measurement of **(B)**, then make sure measurement of **(C)** is at least 6".



AUGER REMOVAL

Always stop the tractor, disengage PTO, set brake, shut off the tractor engine, remove the ignition key, lower implement to the ground and allow auger to come to a complete stop before dismounting tractor. Never leave equipment unattended with the tractor running.

In order to remove the auger, you will need to turn auger by hand (Fig. 1) to line up the flat surface of the ring under the gearbox (Fig. 2, Point B) with the latch bar support (Fig. 2, Point A). When they are lined up with each other, (Fig. 3) then rotate the latch bar (Fig. 2 & 3, Point C) up between the flat surface of the ring and the latch bar support (Fig. 4), then put pressure on the latch bar by turning the auger slightly. Then use a pipe wrench to break the auger free, and unscrew it from the gearbox.



LUBRICATION SCHEDULE

SHIPPED WITH OIL IN GEAR BOX

SHIPPED WITHOUT GREASE IN GREASE FITTINGS.

- **UNIT MUST BE SERVICED BEFORE USING.***
- When Adding Oil Use Multi-Purpose Gear Oil (I.E. S.A.E. 80w/90 or S.A.E. 85w/140 Multi-purpose gear oil) in Gearbox.
- For all Grease Fittings, the PTO shaft tube and U-joints, use TYPE/Grade II tube grease.

Check gearbox periodically (approx. every 50 hours) to maintain correct oil level.

PHD-06-SC-YK - 40 OZ.

PHD-09-SC-YK - 40 OZ.

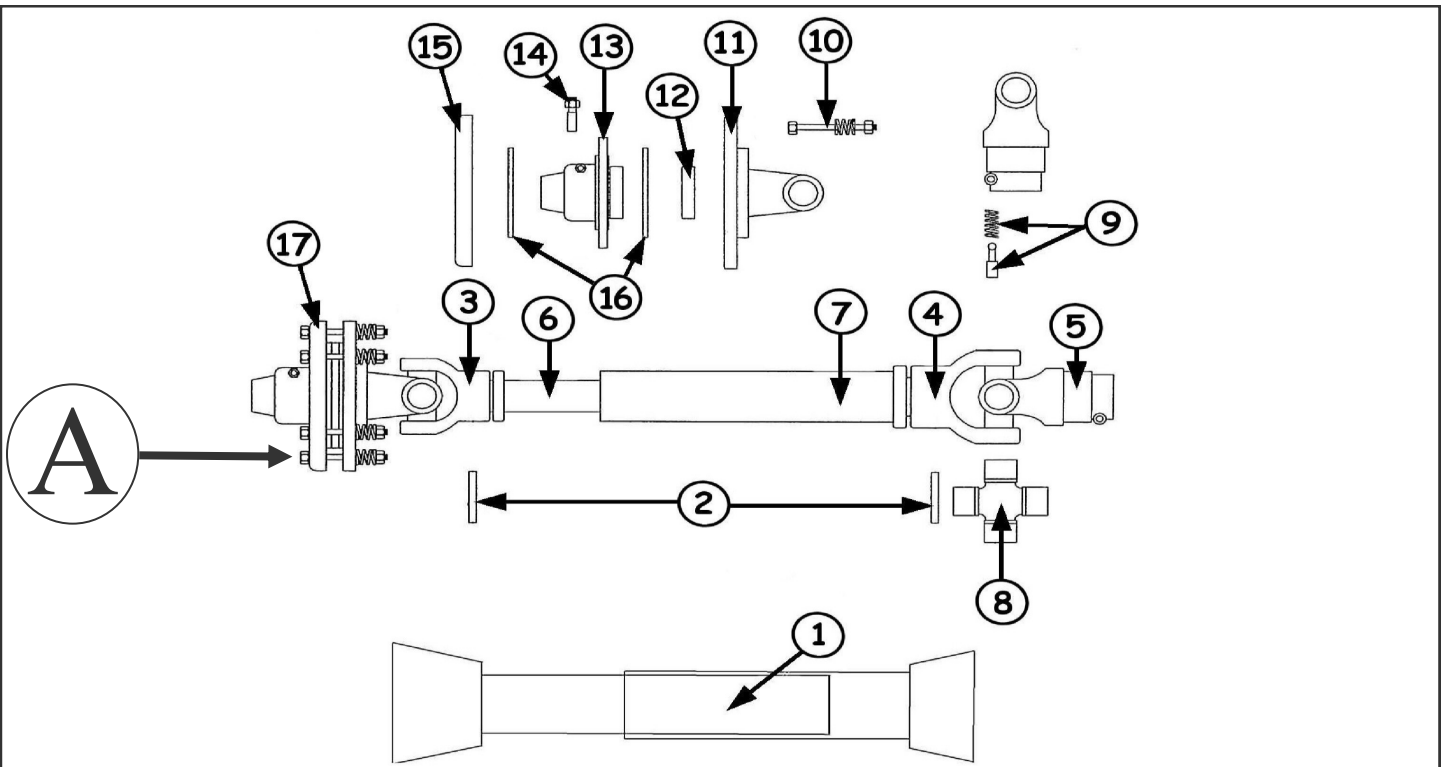
PHD-12-SC-YK - 40 OZ.

Universal joints to be greased every 8 hours. Tube and shaft should be greased every 100 hours or every season, which ever comes first.

OPERATING INSTRUCTIONS

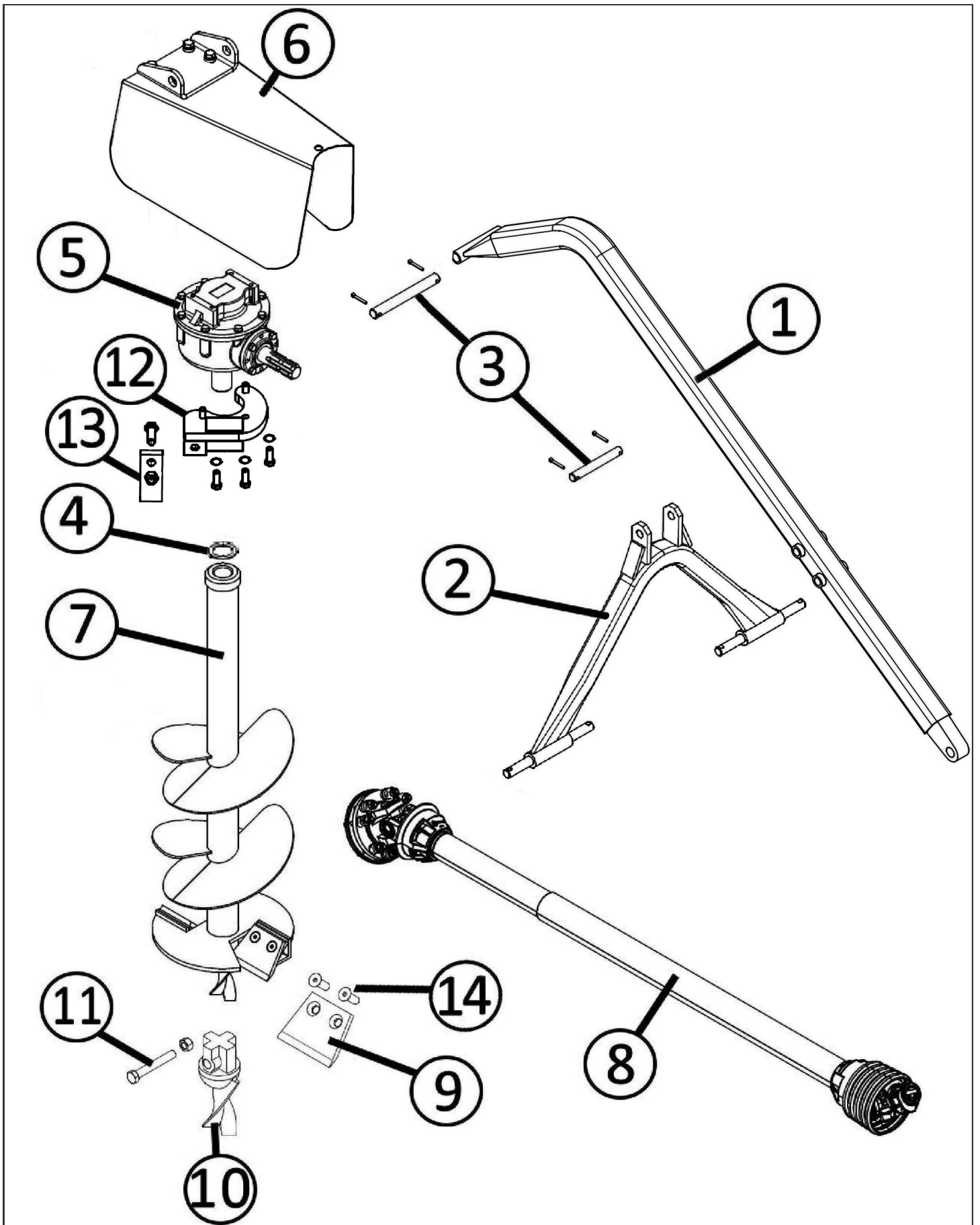
1. Lower auger point slowly to ground at place of desired hole. Slowly move tractor forward or back to achieve desired hole angle.
2. Set brake or use Park position.
3. Engage PTO shaft clutch at half throttle and slowly lower auger into ground. In some types of soil it may be necessary to hold auger back from screwing itself into the ground with the hydraulic control lever.
4. In some types of soil, for best cleaning action, allow auger to dig a foot or so and raise auger almost out of the ground and then dig deeper. Repeat as necessary.
5. When auger has reached the desired depth, stop auger and remove from the hole which will pull the column of dirt out with it. Then move away from the hole and engage the PTO to clear off the auger. Repeat clean out procedure if too much dirt remains in the hole.
6. If the slip clutch slips, stop immediately ! Always stop the tractor, disengage PTO, set brake, shut off the tractor engine, remove the ignition key, lower implement to the ground and allow auger to come to a complete stop before dismounting tractor. Never leave equipment unattended with the tractor running and check for any obstructions, if none are found tighten bolts around clutch (**BOLTS SHOWN AT POINT A IN DIAGRAM AT TOP OF NEXT PAGE**). Make sure you tighten each bolt the same amount, starting with 1/4 to 1/2 turn on each bolt and try digging again making sure it doesn't slip. If it continues to slip check again to make sure there are no obstructions, if none are found tighten bolts again.
7. DO NOT transport digger with PTO shaft engaged. This may result in damage to universal joints.
8. Check post hole digger daily for any damaged or loose bolts, securing pins, etc.

PHD SERIES 4 PTO 147146



Ref. No.	Part Name	Part No.
1	Safety Shield	124305
2	Roll Pin	NA
3	Male Tube End Yoke	150900
4	Female Tube End Yoke	150905
5	Tractor End Yoke	150910
6	Inner Tube 14 Series	NA
7	Outer Tube 14 Series	NA
8	Cross Kit # 4	150920
9	Quick Disconnect Pin	150930
10	Clutch Spring w/ Compression Bolts & nuts (Pkg. 8)	NA
11	Flanged Yoke	NA
12	Bushing	NA
13	Friction Hub	NA
14	10 x 70 Bolt	NA
15	Pressure Plate (Outer)	NA
16	Friction Disc for 6" Slip Clutch	150925
17	6" Clutch	150915

Parts Diagram





1. Limited Warranty.

King Kutter, Inc. ("King Kutter"), P.O. Box 1200, Winfield, Alabama 35594, warrants to the original retail purchaser ("Purchaser") that the product that is the subject of this sale is free from defects in material and workmanship at the time of sale.

Under this warranty, King Kutter will repair the defective product free of charge to the Purchaser, with either new or used and reconditioned replacement parts. All warranty service will be performed at service centers designated by King Kutter. If King Kutter is unable to repair the product to conform to the warranty after a reasonable number of attempts, King Kutter will provide, at its option, one of the following: (a) a replacement for the product or, (b) a full refund of the purchase price. Repair, replacement, or refunds are the Purchaser's EXCLUSIVE remedies against King Kutter under this limited warranty. King Kutter will not be liable for any special, incidental or consequential damages based upon breach or warranty, breach of contract, negligence, strict tort liability, or any other legal theory. Such damages include, but are not limited to, loss of profits, loss of savings or revenue, loss of use of the product or any associated equipment, cost of capital, cost of any substitute equipment, facilities or services, down time, the claims of third parties including customers, and injury to property. These limitations also apply, to the extent allowed by law, to personal injury.

The purchaser must notify the Seller in writing of any defect in material or workmanship within one (1) year following the date of purchase. If the equipment is used for commercial purposes, the Purchaser must notify the Seller in writing of any defect in material or workmanship within ninety (90) days following the date of purchase. In no event will King Kutter be liable under this warranty unless written notice is received by the Seller within one (1) year from the date of original retail sale.

2. Warranty of Title.

King Kutter warrants that it transfers a good title to the product free of any encumbrances, and free of the rightful claim of any third party for infringement of patent or copyright.

3. What is Not Covered by This Limited Warranty.

King Kutter will not be responsible for damage to or failure in the product which results from accident, misuse, abuse, neglect, installation of attachments not provided by King Kutter, modifications to the product, or damage caused by use of the product for purposes other than those for which it was designed.

4. No Other Warranties.

Unless modified in writing and signed by both parties, this agreement is understood to be the complete and exclusive agreement and warranty between King Kutter and Purchaser, superseding all prior agreements, oral and written, and all other communication between King Kutter and Purchaser related to the subject matter of this agreement.

THIS LIMITED WARRANTY IS IN LIEU OF ALL OTHER WARRANTIES, EXPRESS OR IMPLIED, INCLUDING, BUT NOT LIMITED TO, THE IMPLIED WARRANTY OF MERCHANTABILITY AND THE IMPLIED WARRANTY OF FITNESS FOR A PARTICULAR PURPOSE. No employee of King Kutter nor anyone else is authorized to make any warranty or representation in addition to or different from those made in this agreement.

5. Allocation of Risk.

This agreement allocates the risk of product failure between King Kutter and the Purchaser. This Allocation is recognized by both parties as reflected in the price of the goods. The Purchaser acknowledges that he or she has read this agreement, understands it, and is bound by its terms.